

► SFB58221AF

EN	User Manual Refrigerator	2
IT	Istruzioni per l'uso Frigorifero	16
PT	Manual de instruções Frigorífico	31
ES	Manual de instrucciones Frigorífico	47

USER MANUAL



AEG

CONTENTS

1. SAFETY INFORMATION.....	2
2. SAFETY INSTRUCTIONS.....	4
3. INSTALLATION.....	6
4. OPERATION.....	7
5. DAILY USE.....	7
6. HINTS AND TIPS.....	8
7. CARE AND CLEANING.....	9
8. TROUBLESHOOTING.....	11
9. TECHNICAL DATA.....	14

FOR PERFECT RESULTS

Thank you for choosing this AEG product. We have created it to give you impeccable performance for many years, with innovative technologies that help make life simpler features you might not find on ordinary appliances. Please spend a few minutes reading to get the very best from it.

Visit our website for:



Get usage advice, brochures, trouble shooter, service information:
www.aeg.com/webselfservice



Register your product for better service:
www.registeraeg.com




Buy Accessories, Consumables and Original spare parts for your appliance:
www.aeg.com/shop

CUSTOMER CARE AND SERVICE

Always use original spare parts.

When contacting our Authorised Service Centre, ensure that you have the following data available: Model, PNC, Serial Number.

The information can be found on the rating plate.

 Warning / Caution-Safety information

 General information and tips

 Environmental information

Subject to change without notice.

1. SAFETY INFORMATION

Before the installation and use of the appliance, carefully read the supplied instructions. The manufacturer is not responsible for any injuries or damage that are the result of incorrect installation or usage. Always keep the instructions in a safe and accessible location for future reference.

1.1 Children and vulnerable people safety

- This appliance can be used by children aged from 8 years and above and persons with reduced physical, sensory or mental capabilities or lack of experience and knowledge if they have been given supervision or instruction concerning the use of the appliance in a safe way and understand the hazards involved.
- This appliance may be used by children between 3 and 8 years of age and persons with very extensive and complex disabilities, if they have been properly instructed.
- Children of less than 3 years of age should be kept away from the appliance unless continuously supervised.
- Do not let children play with the appliance.
- Children shall not carry out cleaning and user maintenance of the appliance without supervision.
- Keep all packaging away from children and dispose of it appropriately.

1.2 General Safety

- This appliance is intended to be used in household and similar applications such as:
 - Farm houses; staff kitchen areas in shops, offices and other working environments
 - By clients in hotels, motels, bed and breakfast and other residential type environments
- **WARNING:** Keep ventilation openings, in the appliance enclosure or in the built-in structure, clear of obstruction.
- **WARNING:** Do not use mechanical devices or other means to accelerate the defrosting process, other than those recommended by the manufacturer.
- **WARNING:** Do not damage the refrigerant circuit.
- **WARNING:** Do not use electrical appliances inside the food storage compartments of the appliance, unless

they are of the type recommended by the manufacturer.

- Do not use water spray and steam to clean the appliance.
- Clean the appliance with a moist soft cloth. Only use neutral detergents. Do not use abrasive products, abrasive cleaning pads, solvents or metal objects.
- Do not store explosive substances such as aerosol cans with a flammable propellant in this appliance.
- If the supply cord is damaged, it must be replaced by the manufacturer, its Authorised Service Centre or similarly qualified persons in order to avoid a hazard.

2. SAFETY INSTRUCTIONS

2.1 Installation



WARNING!

Only a qualified person must install this appliance.

- Remove all the packaging.
- Do not install or use a damaged appliance.
- Do not use the appliance before installing it in the built-in structure due to safety manner.
- Follow the installation instructions supplied with the appliance.
- Always take care when moving the appliance as it is heavy. Always use safety gloves and enclosed footwear.
- Make sure the air can circulate around the appliance.
- At first installation or after reversing the door wait at least 4 hours before connecting the appliance to the power supply. This is to allow the oil to flow back in the compressor.
- Before carrying out any operations on the appliance (e.g. reversing the door), remove the plug from the power socket.
- Do not install the appliance close to radiators or cookers, ovens or hobs.
- Do not expose the appliance to the rain.
- Do not install the appliance where there is direct sunlight.

- Do not install this appliance in areas that are too humid or too cold.
- When you move the appliance, lift it by the front edge to avoid scratching the floor.

2.2 Electrical connection



WARNING!

Risk of fire and electric shock.



WARNING!

When positioning the appliance, ensure the supply cord is not trapped or damaged.



WARNING!

Do not use multi-plug adapters and extension cables.

- The appliance must be earthed.
- Make sure that the parameters on the rating plate are compatible with the electrical ratings of the mains power supply.
- Always use a correctly installed shockproof socket.
- Make sure not to cause damage to the electrical components (e.g. mains plug, mains cable, compressor). Contact the Authorised Service

Centre or an electrician to change the electrical components.

- The mains cable must stay below the level of the mains plug.
- Connect the mains plug to the mains socket only at the end of the installation. Make sure that there is access to the mains plug after the installation.
- Do not pull the mains cable to disconnect the appliance. Always pull the mains plug.

2.3 Use



WARNING!

Risk of injury, burns, electric shock or fire.



The appliance contains flammable gas, isobutane (R600a), a natural gas with a high level of environmental compatibility. Be careful not to cause damage to the refrigerant circuit containing isobutane.

- Do not change the specification of this appliance.
- Do not put electrical appliances (e.g. ice cream makers) in the appliance unless they are stated applicable by the manufacturer.
- If damage occurs to the refrigerant circuit, make sure that there are no flames and sources of ignition in the room. Ventilate the room.
- Do not let hot items to touch the plastic parts of the appliance.
- Do not put soft drinks in the freezer compartment. This will create pressure on the drink container.
- Do not store flammable gas and liquid in the appliance.
- Do not put flammable products or items that are wet with flammable products in, near or on the appliance.
- Do not touch the compressor or the condenser. They are hot.
- Do not remove or touch items from the freezer compartment if your hands are wet or damp.
- Do not freeze again food that has been thawed.
- Follow the storage instructions on the packaging of frozen food.

- Wrap the food in any food contact material before putting it in the freezer compartment.

2.4 Internal lighting



WARNING!

Risk of electric shock.

- The type of lamp used for this appliance is for household appliances only. Do not use it for house lighting.

2.5 Care and cleaning



WARNING!

Risk of injury or damage to the appliance.

- Before maintenance, deactivate the appliance and disconnect the mains plug from the mains socket.
- This appliance contains hydrocarbons in the cooling unit. Only a qualified person must do the maintenance and the recharging of the unit.
- Regularly examine the drain of the appliance and if necessary, clean it. If the drain is blocked, defrosted water collects in the bottom of the appliance.

2.6 Service

- To repair the appliance contact the Authorised Service Centre.
- Use original spare parts only.

2.7 Disposal



WARNING!

Risk of injury or suffocation.

- Disconnect the appliance from the mains supply.
- Cut off the mains cable and discard it.
- Remove the door to prevent children and pets to be closed inside of the appliance.
- The refrigerant circuit and the insulation materials of this appliance are ozone-friendly.
- The insulation foam contains flammable gas. Contact your municipal authority for information on how to discard the appliance correctly.

- Do not cause damage to the part of the cooling unit that is near the heat exchanger.

3. INSTALLATION



WARNING!

Refer to Safety chapters.

3.1 Location



Refer to the assembly instructions for the installation.

To ensure best performance, install the appliance well away from sources of heat such as radiators, boilers, direct sunlight etc. Make sure that air can circulate freely around the back of the cabinet.

3.2 Positioning

Install the appliance in a dry, well ventilated indoors where the ambient temperature corresponds to the climate class indicated on the rating plate of the appliance.

Climate class	Ambient temperature
SN	+10°C to + 32°C
N	+16°C to + 32°C
ST	+16°C to + 38°C
T	+16°C to + 43°C



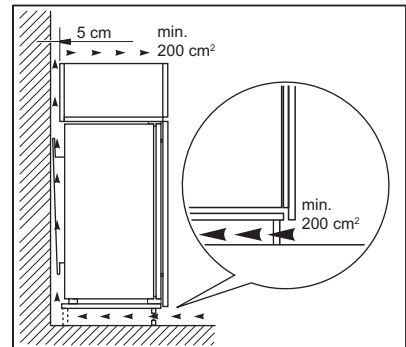
Some functional problems might occur for some types of models when operating outside of that range. The correct operation can only be guaranteed within the specified temperature range. If you have any doubts regarding where to install the appliance, please turn to the vendor, to our customer service or to the nearest Authorised Service Centre.

3.3 Electrical connection

- Before plugging in, ensure that the voltage and frequency shown on the rating plate correspond to your domestic power supply.
- The appliance must be earthed. The power supply cable plug is provided with a contact for this purpose. If the domestic power supply socket is not earthed, connect the appliance to a separate earth in compliance with current regulations, consulting a qualified electrician.
- The manufacturer declines all responsibility if the above safety precautions are not observed.
- This appliance complies with the E.E.C. Directives.

3.4 Ventilation requirements

The airflow behind the appliance must be sufficient.



CAUTION!

Refer to the assembly instructions for the installation.

4. OPERATION

4.1 Switching on

1. Insert the plug into the wall socket.
2. Turn the Temperature regulator clockwise to a medium setting.

4.2 Switching off

To turn off the appliance, turn the temperature regulator to the "O" position.

4.3 Temperature regulation

The temperature is regulated automatically.

1. Turn the Temperature regulator toward lower settings to obtain the minimum coldness.
2. Turn the Temperature regulator toward higher settings to obtain the maximum coldness.



A medium setting is generally the most suitable. However, the exact setting should be chosen keeping in mind that the temperature inside the appliance depends on:

- room temperature,
- how often the door is opened,
- the quantity of food stored,
- the location of the appliance.



CAUTION!

If the ambient temperature is high or the appliance is fully loaded, and the appliance is set to the lowest temperatures, it may run continuously causing frost to form on the rear wall. In this case the dial must be set to a higher temperature to allow automatic defrosting and therefore reduced energy consumption.

5. DAILY USE



WARNING!

Refer to Safety chapters.

5.1 Freezing fresh food

The freezer compartment is suitable for freezing fresh food and storing frozen and deep-frozen food for a long time.

To freeze fresh foods it is not necessary to change the medium setting.

However, for a faster freezing operation, turn the temperature regulator toward

higher settings to obtain the maximum coldness.



CAUTION!

In this condition, the refrigerator compartment temperature might drop below 0°C. If this occurs reset the temperature regulator to a warmer setting.

5.2 Storage of frozen food

When first starting-up or after a period out of use, before putting the products in the compartment let the appliance run at least 2 hours on the higher settings.

- i** In the event of accidental defrosting, for example due to a power failure, if the power has been off for longer than the value shown in the technical characteristics chart under "rising time", the defrosted food must be consumed quickly or cooked immediately and then re-frozen (after cooling).

5.3 Thawing

Deep-frozen or frozen food, prior to being used, can be thawed in the refrigerator compartment or at room temperature, depending on the time available for this operation.

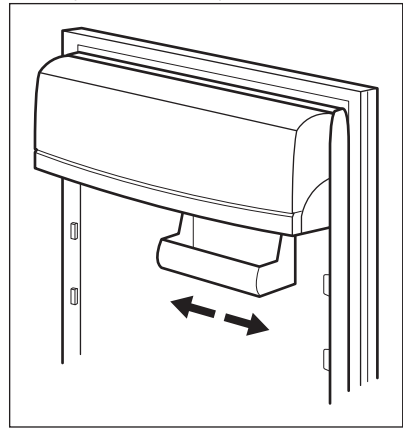
Small pieces may even be cooked still frozen, directly from the freezer: in this case, cooking will take longer.

5.4 Positioning the door shelves

To permit storage of food packages of various sizes, the door shelves can be placed at different heights.

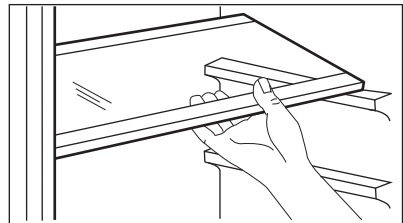
1. Gradually pull the shelf up until it comes free.

2. Reposition as required.



5.5 Movable shelves

The walls of the refrigerator are equipped with a series of runners so that the shelves can be positioned as desired.



- i** Do not move the glass shelf above the vegetable drawer to ensure correct air circulation.

6. HINTS AND TIPS

6.1 Normal operating sounds

The following sounds are normal during operation:

- A faint gurgling and bubbling sound from coils sound when refrigerant is pumped.
- A whirring and pulsating sound from the compressor when refrigerant is pumped.
- A sudden cracking noise from inside appliance caused by thermic

dilatation (a natural and not dangerous physical phenomenon).

- A faint click noise from the temperature regulator when the compressor switches on or off.

6.2 Hints for energy saving

- Do not open the door frequently or leave it open longer than absolutely necessary.

6.3 Hints for fresh food refrigeration

- Do not store warm food or evaporating liquids in the refrigerator.
- Cover or wrap the food, particularly if it has a strong flavour.
- Position food so that air can circulate freely around it.

6.4 Hints for refrigeration

Useful hints:

- Meat (all types): wrap in a suitable packaging and place it on the glass shelf above the vegetable drawer. Store meat for at most 1-2 days.
- Cooked foods, cold dishes: cover and place on any shelf.
- Fruit and vegetables: clean thoroughly and place in a special drawer. Bananas, potatoes, onions and garlic must not be kept in the refrigerator if not packed.
- Butter and cheese: place in a special airtight container or wrap in an aluminium foil or a polythene bag to exclude as much air as possible.
- Bottles: close with a cap and place on the door bottle shelf, or (if available) on the bottle rack.

6.5 Hints for freezing

- Freeze only top quality, fresh and thoroughly cleaned food products.

- For more efficient freezing and thawing divide food into small portions.
- Wrap the food in aluminium foil or polythene. Make sure that the packages are airtight.
- To avoid increase in temperature of already frozen food, do not place fresh unfrozen food directly next to it.
- Lean foods store better and longer than fatty ones. Salt reduces the storage life of food.
- Do not eat ice cubes, water ices or ice lollies immediately after taking them out of the freezer. Risk of frostbites.
- It is advisable to show the freezing date on each individual pack to enable you to keep tab of the storage time.

6.6 Hints for storage of frozen food

- Make sure that the commercially frozen food products were adequately stored by the retailer.
- Make sure that frozen foodstuffs are transferred from the food store to the freezer in the shortest possible time.
- Once defrosted, food deteriorates rapidly and cannot be refrozen.
- Do not exceed the storage period indicated by the food manufacturer.

7. CARE AND CLEANING



WARNING!

Refer to Safety chapters.

7.1 General warnings



CAUTION!

Unplug the appliance before carrying out any maintenance operation.



This appliance contains hydrocarbons in its cooling unit; maintenance and recharging must therefore only be carried out by authorized technicians.



The accessories and parts of the appliance are not suitable for washing in a dishwasher.

7.2 Cleaning the interior

Before using the appliance for the first time, the interior and all internal

accessories should be washed with lukewarm water and some neutral soap to remove the typical smell of a brand-new product, then dried thoroughly.



CAUTION!

Do not use detergents, abrasive powders, chlorine or oil-based cleaners as they will damage the finish.

7.3 Periodic cleaning



CAUTION!

Do not pull, move or damage any pipes and/or cables inside the appliance.



CAUTION!

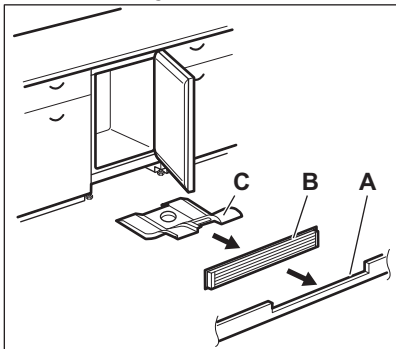
Do not damage the cooling system.

The equipment has to be cleaned regularly:

1. Clean the inside and accessories with lukewarm water and some neutral soap.
2. Regularly check the door seals and wipe them clean to ensure they are clean and free from debris.
3. Rinse and dry thoroughly.
4. If accessible, clean the condenser and the compressor at the back of the appliance with a brush. This will improve the performance of the appliance and save electricity consumption.

7.4 Cleaning the air channels

1. Remove the plinth (A), then the ventilation grid (B).

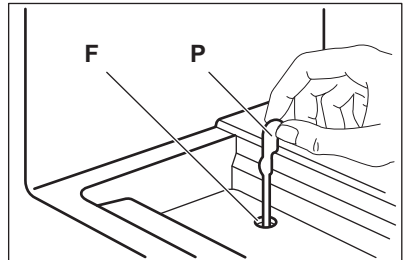


2. Clean the ventilation grid.
3. Carefully pull the air deflector out (C), checking that there is no water left from the defrosting.
4. Clean the lower part of the appliance with a vacuum cleaner.

7.5 Defrosting of the refrigerator

Frost is automatically eliminated from the evaporator of the refrigerator compartment every time the motor compressor stops, during normal use. The defrost water drains out through a trough into a special container at the back of the appliance, over the motor compressor, where it evaporates.

It is important to periodically clean the defrost water drain hole (F) situated under the salad drawers to prevent the water overflowing and dripping onto the food inside. Use the special cleaner provided (P), which you will find already inserted into the drain hole.




7.6 Defrosting of the freezer



CAUTION!

Never use sharp metal tools to scrape off frost from the evaporator as you could damage it. Do not use a mechanical device or any artificial means to speed up the thawing process other than those recommended by the manufacturer. A temperature rise of the frozen food packs, during defrosting, may shorten their safe storage life.

-  About 12 hours prior to defrosting, set a lower temperature, in order to build up sufficient chill reserve for the interruption in operation.

A certain amount of frost will always form on the freezer shelves and around the top compartment.

Defrost the freezer when the frost layer reaches a thickness of about 3-5 mm.

1. Switch off the appliance, or pull out electrical plug from the wall socket.
2. Remove any stored food, wrap it in several layers of newspaper and put it in a cool place.



WARNING!

Do not touch frozen goods with wet hands. Hands can freeze to the goods.

3. Leave the door open. In order to speed up the defrosting process, place a pot of warm water in the freezer compartment. In addition, remove pieces of ice that break away before defrosting is complete.

4. When defrosting is completed, dry the interior thoroughly.
5. Switch on the appliance. After three hours reload the previously removed food into the freezer compartment.

7.7 Periods of non-operation

When the appliance is not in use for long periods, take the following precautions:

1. Disconnect the appliance from electricity supply.
2. Remove all food.
3. Defrost the appliance (if necessary).
4. Clean the appliance and all accessories.
5. Leave the door/doors open to prevent unpleasant smells.



CAUTION!

If you want to keep the appliance switched on, ask somebody to check it once in a while to prevent the food inside from spoiling in case of a power failure.

8. TROUBLESHOOTING



WARNING!


Refer to Safety chapters.


8.1 What to do if...

Problem	Possible cause	Solution
The appliance does not operate.	The appliance is switched off.	Switch on the appliance.
	The mains plug is not connected to the mains socket correctly.	Connect the mains plug to the mains socket correctly.
	There is no voltage in the mains socket.	Connect a different electrical appliance to the mains socket. Contact a qualified electrician.
The appliance is noisy.	The appliance is not supported properly.	Check if the appliance stands stable.

Problem	Possible cause	Solution
The lamp does not work.	The lamp is in stand-by.	Close and open the door.
	The lamp is defective.	Refer to "Replacing the lamp".
The compressor operates continually.	Temperature is set incorrectly.	Refer to "Operation" chapter.
	Many food products to be frozen were put in at the same time.	Wait a few hours and then check the temperature again.
	The room temperature is too high.	Refer to climate class chart on the rating plate.
	Food products placed in the appliance were too warm.	Allow food products to cool to room temperature before storing.
There is too much frost and ice.	The door is not closed correctly.	Refer to "Closing the door".
	The door is not closed correctly or the gasket is deformed/dirty.	Refer to "Closing the door".
	The water drainage plug is not correctly positioned.	Position the water drainage plug in the correct way.
Water flows on the rear plate of the refrigerator.	Food products are not wrapped properly.	Wrap the food products better.
	Temperature is set incorrectly.	Refer to "Operation" chapter.
	During the automatic defrosting process, frost melts on the rear plate.	This is correct.
Water flows into the refrigerator.	The water outlet is clogged.	Clean the water outlet.
	Food products prevent that water flows into the water collector.	Make sure that food products do not touch the rear plate.
Water flows on the floor.	The melting water outlet is not connected to the evaporative tray above the compressor.	Attach the melting water outlet to the evaporative tray.
The temperature in the appliance is too low/too high.	The temperature regulator is not set correctly.	Set a higher/lower temperature.


Problem	Possible cause	Solution
	The door is not closed correctly.	Refer to "Closing the door".
	The food products' temperature is too high.	Let the food products temperature decrease to room temperature before storage.
	Many food products are stored at the same time.	Store less food products at the same time.
	The thickness of the frost is greater than 4-5 mm.	Defrost the appliance.
	The door has been opened often.	Open the door only if necessary.
	There is no cold air circulation in the appliance.	Make sure that there is cold air circulation in the appliance.
There is too much condensed water on the rear wall of the refrigerator.	Door was opened too frequently.	Open the door only when necessary.
	Door was not closed completely.	Make sure the door is closed completely.
	Stored food was not wrapped.	Wrap food in suitable packaging before storing it in the appliance.
Door does not open easily.	You attempted to re-open the door immediately after closing.	Wait a few seconds between closing and re-opening of the door.

 If the advice does not lead to the desired result, call the nearest Authorized Service Centre.

 Use LED bulbs (E14 base) only. The maximum power is shown on the lamp unit.

8.2 Replacing the lamp

 The appliance is equipped with a long-life LED interior light.

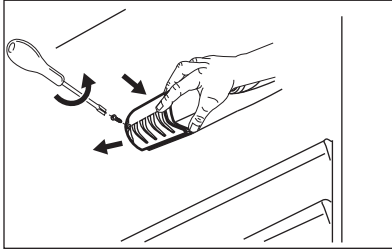
 It is strongly recommended to use original spare parts only.



CAUTION!

Disconnect the plug from the mains socket.

1. Using a screwdriver, remove the screw from the lamp cover.
2. Detach the lamp cover in the direction of the arrows.



3. Replace the lamp with the one that has identical characteristics and is specifically designed for household appliances.

4. Reassemble the lamp cover.
5. Tighten the screw to the lamp cover.
6. Connect the plug to the mains socket.
7. Open the door.
Make sure that the light switches on.

8.3 Closing the door

1. Clean the door gaskets.
2. If necessary, adjust the door. Refer to assembly instructions.
3. If necessary, replace the defective door gaskets. Contact the Authorised Service Centre.

9. TECHNICAL DATA

9.1 Product information sheet

Trade Mark	AEG
Model	SFB58221AF 933025054
Category	7. Refrigerator-freezer
Energy efficiency class	A++
Energy consumption in kWh per year, based on standard test results for 24 hours. The actual energy consumption will depend on how the appliance is used and where it is located	139
Storage volume in litres, Fridge	93
Storage volume in litres, Star	16
Storage volume in litres, Cellar zone	-
Storage volume in litres, Wine	-
Storage volume in litres, Total	109
Storage volume in litres, Freezer	-
Storage volume in litres, Chiller	-
Storage volume in litres, Other compartments	-
Star rating of freezer compartment with highest storage volume (l)	****
Design temperature of other compartments > 14 °C (°C), if any	-
Frost free (Y/N), Fridge	No
Frost free (Y/N), Freezer	No

Power cut safe in h	11
Freezing capacity in kg/24h	2,5
Climate class	SN-N-ST-T
Lowest ambient temperature at which this appliance is intended to be used, in °C	10
Highest ambient temperature at which this appliance is intended to be used, in °C	43
Acoustical noise emissions dB(A) re1 pW	37
Built in appliance Y/N	Yes
This appliance is intended to be used exclusively for the storage of wine Y/N	No


9.2 Additional technical data


Dimensions of the appliance	
Height	815 mm
Width	596 mm

Depth	550 mm
Voltage	230 - 240 V
Frequency	50 Hz

The technical information is situated in the rating plate, on the external or internal side of the appliance and on the energy label.

10. ENVIRONMENTAL CONCERNS

Recycle materials with the symbol . Put the packaging in relevant containers to recycle it. Help protect the environment and human health by recycling waste of electrical and electronic appliances. Do not dispose of

appliances marked with the symbol  with the household waste. Return the product to your local recycling facility or contact your municipal office.

INDICE

1. INFORMAZIONI DI SICUREZZA.....	16
2. ISTRUZIONI DI SICUREZZA.....	18
3. INSTALLAZIONE.....	20
4. FUNZIONAMENTO.....	21
5. UTILIZZO QUOTIDIANO.....	22
6. CONSIGLI E SUGGERIMENTI UTILI.....	23
7. PULIZIA E CURA.....	24
8. RISOLUZIONE DEI PROBLEMI.....	26
9. DATI TECNICI.....	29

PER RISULTATI PERFETTI

Grazie per aver scelto di acquistare questo prodotto AEG. Lo abbiamo creato per fornirvi prestazioni impeccabili per molti anni, grazie a tecnologie innovative che vi semplificheranno la vita - funzioni che non troverete sulle normali apparecchiature. Vi invitiamo a dedicare qualche minuto alla lettura del presente manuale, per conoscere come trarre il massimo vantaggio dall'utilizzo della vostra apparecchiatura.

Visitate il nostro sito web per:



Ricevere consigli d'uso, scaricare i nostri opuscoli, eliminare eventuali anomalie, ottenere informazioni sull'assistenza:

www.aeg.com/webselfservice



Registrare il vostro prodotto e ricevere un servizio migliore:

www.registreaeg.com



Acquistare accessori, materiali di consumo e ricambi originali per la vostra apparecchiatura:

www.aeg.com/shop

SERVIZIO CLIENTI E MANUTENZIONE

Consigliamo sempre l'impiego di ricambi originali.

Quando si contatta il Centro di Assistenza autorizzato, accertarsi di disporre dei seguenti dati: Modello, numero dell'apparecchio (PNC), numero di serie.

Le informazioni si trovano sulla targhetta di identificazione.

 Avvertenza/Attenzione - Importanti Informazioni per la sicurezza

 Informazioni e suggerimenti generali

 Informazioni sull'ambiente

Con riserva di modifiche.

1. INFORMAZIONI DI SICUREZZA

Leggere attentamente le istruzioni fornite prima di installare e utilizzare l'apparecchiatura. I produttori non sono responsabili di eventuali lesioni o danni derivanti da un'installazione o un uso scorretti. Conservare

sempre le istruzioni in un luogo sicuro e accessibile per poterle consultare in futuro.

1.1 Sicurezza dei bambini e delle persone vulnerabili

- Questa apparecchiatura può essere usata da bambini a partire dagli 8 anni e da adulti con limitate capacità fisiche, sensoriali o mentali o con scarsa esperienza o conoscenza sull'uso dell'apparecchiatura, solamente se sorvegliati o se istruiti relativamente all'uso dell'apparecchiatura e se hanno compreso i rischi coinvolti.
- Questa apparecchiatura potrebbe essere usata dai bambini di età compresa fra i 3 e gli 8 anni oltre che dalle persone con disabilità diffuse e complesse, se debitamente istruite.
- Tenere lontani dall'apparecchiatura i bambini al di sotto dei 3 anni se non costantemente supervisionati.
- Non consentire ai bambini di giocare con l'apparecchiatura.
- I bambini non devono eseguire interventi di pulizia e manutenzione sull'apparecchiatura senza essere supervisionati.
- Tenere gli imballaggi lontano dai bambini e smaltirli in modo adeguato.

1.2 Avvertenze di sicurezza generali

- Questa apparecchiatura è destinata ad un uso domestico e applicazioni simili, quali:
 - case di campagna; cucine di negozi, uffici e altri ambienti di lavoro,
 - da clienti di hotel, motel, bed and breakfast e altri ambienti residenziali
- **AVVERTENZA:** Verificare che le aperture di ventilazione, sia sull'apparecchiatura che nella struttura da incasso, non siano ostruite.

- **AVVERTENZA:** Non usare dispositivi elettrici o altri mezzi artificiali non raccomandati dal produttore allo scopo di accelerare il processo di sbrinamento.
- **AVVERTENZA:** Non danneggiare il circuito refrigerante.
- **AVVERTENZA:** Non utilizzare apparecchiature elettriche all'interno dei compartimenti di conservazione degli alimenti, ad eccezione di quelli consigliati dal costruttore.
- Non nebulizzare acqua né utilizzare vapore per pulire l'apparecchiatura.
- Pulire l'apparecchiatura con un panno inumidito e morbido. Utilizzare solo detergenti neutri. Non usare prodotti abrasivi, spugnette abrasive, solventi od oggetti metallici.
- Non conservare in questa apparecchiatura sostanze esplosive come bombolette spray contenenti un propellente infiammabile.
- Se il cavo di alimentazione è danneggiato, deve essere sostituito dal produttore, dal Centro di Assistenza Autorizzato o da una persona qualificata per evitare situazioni di pericolo.

2. ISTRUZIONI DI SICUREZZA

2.1 Installazione



AVVERTENZA!

L'installazione dell'apparecchiatura deve essere eseguita da personale qualificato.

- Rimuovere tutti i materiali di imballaggio.
- Non installare o utilizzare l'apparecchiatura se è danneggiata.
- Non usare l'apparecchiatura prima di installarla nella struttura a incasso date le misure di sicurezza.
- Attenersi alle istruzioni fornite insieme all'apparecchiatura.
- Prestare sempre attenzione in fase di spostamento dell'apparecchiatura, dato che è pesante. Usare sempre i guanti di sicurezza e le calzature adeguate.
- Assicurarsi che l'aria possa circolare liberamente attorno all'apparecchiatura.
- In fase di prima installazione o dopo aver girato la porta, attendere almeno 4 ore prima di collegare l'apparecchiatura alla sorgente di alimentazione. Questo serve a consentire all'olio di fluire nuovamente nel compressore.
- Prima di eseguire eventuali operazioni sull'apparecchiatura (ad esempio invertire la porta), togliere la spina dalla presa di corrente.
- Non installare l'apparecchiatura in prossimità di radiatori, fornelli, forni o piani di cottura.

- Non esporre l'apparecchiatura alla pioggia.
- Non installare l'apparecchiatura dove sia esposta alla luce solare diretta.
- Non installare questa apparecchiatura in aree troppo umide o troppo fredde.
- Quando si sposta l'apparecchiatura, sollevarla dal bordo anteriore, così da non graffiare il pavimento.

2.2 Collegamento elettrico



AVVERTENZA!

Rischio di incendio e scossa elettrica.



AVVERTENZA!

In fase di posizionamento dell'apparecchiatura, verificare che il cavo di alimentazione non sia intrappolato o danneggiato.



AVVERTENZA!

Non utilizzare prese multiple e prolunghe.

- L'apparecchiatura deve disporre di una messa a terra.
- Verificare che i parametri sulla targhetta siano compatibili con le indicazioni elettriche dell'alimentazione.
- Utilizzare sempre una presa elettrica con contatto di protezione correttamente installata.
- Accertarsi di non danneggiare i componenti elettrici (ad es. la spina di alimentazione, il cavo di alimentazione, il compressore). Contattare il Centro di Assistenza Autorizzato o un elettricista per sostituire i componenti elettrici.
- Il cavo di alimentazione deve rimanere sotto il livello della spina di alimentazione.
- Inserire la spina di alimentazione nella presa solo al termine dell'installazione. Verificare che la spina di alimentazione rimanga accessibile dopo l'installazione.
- Non tirare il cavo di alimentazione per scollegare l'apparecchiatura. Tirare sempre dalla spina.

2.3 Utilizzare



AVVERTENZA!

Rischio di lesioni, scottature o scosse elettriche.



L'apparecchiatura contiene gas infiammabile, isobutano (R600a), un gas naturale con un alto livello di compatibilità ambientale. Fare attenzione a non danneggiare il circuito refrigerante che contiene isobutano.

- Non modificare le specifiche tecniche dell'apparecchiatura.
- Non introdurre apparecchiature elettriche (ad es. gelatiere) nell'apparecchiatura se non specificamente consentito dal produttore.
- Nel caso di danno al circuito refrigerante, assicurarsi che non si sviluppino fiamme libere e scintille nel locale. Aerare bene l'ambiente.
- Non appoggiare oggetti incandescenti sulle parti in plastica dell'apparecchiatura.
- Non introdurre bevande analcoliche nel vano congelatore. Si verrà a creare una pressione nel contenitore della bevanda.
- Non conservare gas e liquidi infiammabili nell'apparecchiatura.
- Non appoggiare o tenere liquidi o materiali infiammabili, né oggetti facilmente incendiabili sull'apparecchiatura, al suo interno o nelle immediate vicinanze.
- Non toccare il compressore o il condensatore. Sono incandescenti.
- Non togliere o toccare gli oggetti nel vano congelatore con le mani bagnate o umide.
- Non ricongelare del cibo precedentemente scongelato.
- Attenersi alle istruzioni per la conservazione riportate sulla confezione del cibo surgelato.
- Avvolgere gli alimenti con materiali per uso alimentare prima di metterli nello scomparto del congelatore.

2.4 Luce interna



AVVERTENZA!
Pericolo di scosse elettriche.

- Il tipo di lampada utilizzata per questa apparecchiatura è adatta soltanto agli elettrodomestici. Non usarle per l'illuminazione di casa.

2.5 Pulizia e cura



AVVERTENZA!
Vi è il rischio di ferirsi o danneggiare l'apparecchiatura.

- Prima di eseguire qualunque intervento di manutenzione, spegnere l'apparecchiatura ed estrarre la spina dalla presa.
- L'unità refrigerante di questa apparecchiatura contiene idrocarburi. L'unità deve essere ricaricata ed ispezionata esclusivamente da personale qualificato.
- Controllare regolarmente lo scarico dell'apparecchiatura e, se necessario, pulirlo. L'ostruzione dello scarico può causare un deposito di acqua di sbrinamento sul fondo dell'apparecchiatura.

3. INSTALLAZIONE



AVVERTENZA!
Fare riferimento ai capitoli sulla sicurezza.

3.1 Ubicazione



Consultare le istruzioni di montaggio per l'installazione.

Per garantire prestazioni ottimali, l'apparecchiatura deve essere installata lontano da fonti di calore (termosifoni, boiler, luce solare diretta, ecc.). Verificare che sul lato posteriore sia garantita un'adeguata circolazione dell'aria.

2.6 Assistenza tecnica

- Per riparare l'apparecchiatura contattare un Centro di Assistenza Autorizzato.
- Utilizzare esclusivamente ricambi originali.

2.7 Smaltimento



AVVERTENZA!
Rischio di lesioni o soffocamento.

- Staccare la spina dall'alimentazione elettrica.
- Tagliare il cavo di rete e smaltirlo.
- Rimuovere la porta per evitare che bambini e animali domestici rimangano chiusi all'interno dell'apparecchiatura.
- Il circuito refrigerante e i materiali di isolamento di questa apparecchiatura rispettano l'ozono.
- La schiuma isolante contiene gas infiammabili. Contattare le autorità locali per ricevere informazioni su come smaltire correttamente l'apparecchiatura.
- Non danneggiare i componenti dell'unità refrigerante che si trovano vicino allo scambiatore di calore.

3.2 Luogo d'installazione

Installare l'apparecchiatura in un luogo asciutto, ben ventilato, la cui temperatura ambiente corrisponda alla classe climatica indicata sulla targhetta dei dati del modello:

Classe climatica	Temperatura ambiente
SN	da +10°C a + 32°C
N	da +16°C a + 32°C
ST	da +16°C a + 38°C
T	da +16°C a + 43°C



In alcuni modelli potrebbero verificarsi delle anomalie se non si rispettano le temperature indicate. Il corretto funzionamento può essere garantito solo nel rispetto delle temperature indicate. In caso di dubbi sul luogo di installazione dell'apparecchiatura, contattare il venditore, il nostro Centro di Assistenza o il rivenditore autorizzato più vicino.

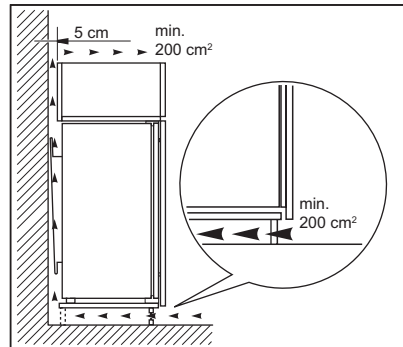
3.3 Collegamento elettrico

- Prima di inserire la spina, verificare che la tensione e la frequenza riportate sulla targhetta dei dati corrispondano a quelle dell'impianto domestico.
- L'apparecchiatura deve disporre di una messa a terra. La spina del cavo di alimentazione è dotata di un apposito contatto. Se la presa di corrente dell'impianto domestico non è collegata a terra, allacciare l'apparecchiatura a una presa di terra separata in conformità alle norme in vigore, rivolgendosi a un elettricista qualificato.

- Il produttore declina ogni responsabilità qualora le suddette precauzioni di sicurezza non vengano rispettate.
- Questa apparecchiatura è conforme alle direttive CEE.

3.4 Requisiti di ventilazione

Il flusso d'aria dietro l'apparecchiatura deve essere sufficiente.



ATTENZIONE!

Consultare le istruzioni di montaggio per l'installazione.

4. FUNZIONAMENTO

4.1 Accensione

1. Inserire la spina nella presa a muro.
2. Impostare il regolatore di temperatura su un livello medio, ruotandolo in senso orario.

4.2 Spegnimento

Per spegnere l'apparecchiatura, ruotare il regolatore di temperatura in posizione "O".

4.3 Regolazione della temperatura

La temperatura viene regolata automaticamente.

1. Impostare il regolatore di temperatura su un livello basso per ottenere un raffreddamento minimo.
2. Ruotare il regolatore di temperatura verso l'impostazione massima per aumentare l'intensità del raffreddamento.



In condizioni normali, si consiglia di utilizzare una regolazione media. Tuttavia, è importante ricordare che la temperatura all'interno dell'apparecchiatura dipende dai seguenti fattori:

- temperatura ambiente,
- frequenza di apertura della porta,
- quantità di alimenti conservati,
- Posizione dell'apparecchiatura.

**ATTENZIONE!**

Se la temperatura ambiente è elevata o l'apparecchiatura è a pieno carico, l'impostazione alla temperatura minima può causare l'attivazione ininterrotta del compressore e la formazione di brina sulla parete posteriore. In questo caso, impostare una temperatura più elevata per consentire lo sbrinamento automatico e ridurre così il consumo di energia.

5. UTILIZZO QUOTIDIANO

**AVVERTENZA!**

Fare riferimento ai capitoli sulla sicurezza.

5.1 Congelamento di alimenti freschi

Lo scomparto congelatore è adatto al congelamento di alimenti freschi e alla conservazione a lungo termine di alimenti congelati e surgelati.

Per congelare i cibi freschi è possibile mantenere la regolazione media.

Tuttavia, per ottenere un congelamento più rapido, è possibile impostare il regolatore di temperatura a un livello più alto per aumentare l'intensità di raffreddamento.

**ATTENZIONE!**

In questa condizione la temperatura dello scomparto del frigorifero potrebbe scendere al di sotto di 0°C. Qualora ciò accadesse, è necessario reimpostare la temperatura a un livello più alto.

5.2 Conservazione dei surgelati

Al primo avvio o dopo un periodo di non utilizzo, lasciare in funzione l'apparecchiatura per almeno 2 ore con

una regolazione alta prima di introdurre gli alimenti.



Se si verifica un'interruzione della corrente elettrica di durata superiore al "tempo di risalita" indicato nella tabella dei dati tecnici, il cibo scongelato deve essere consumato rapidamente o cucinato immediatamente e quindi ricongelato (dopo il raffreddamento).

5.3 Scongelamento

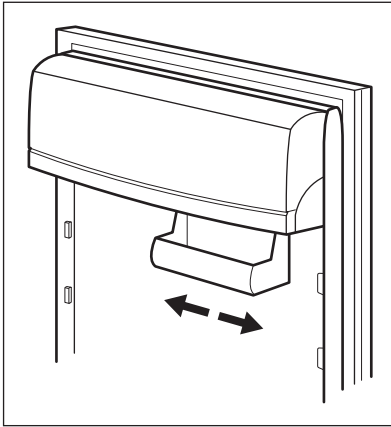
Prima dell'utilizzo, i cibi surgelati o congelati possono essere scongelati nel vano frigorifero o, per un processo più veloce, a temperatura ambiente.

Gli alimenti divisi in piccole porzioni possono essere cucinati direttamente, senza essere prima scongelati: in questo caso, tuttavia, la cottura durerà più a lungo.

5.4 Posizionamento dei ripiani della porta

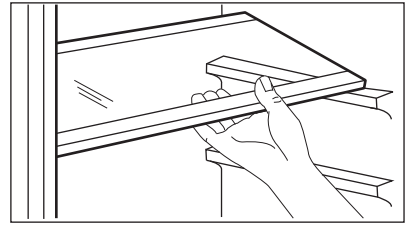
Per facilitare l'introduzione di alimenti di diverse dimensioni, i ripiani della porta possono essere posizionati ad altezze differenti.

1. Tirare gradualmente il ripiano fino a che non si libera.
2. Riposizionare secondo necessità.



5.5 Ripiani rimovibili

Le guide presenti sulle pareti del frigorifero permettono di posizionare i ripiani a diverse altezze.



Per garantire una corretta circolazione dell'aria, non spostare il ripiano in vetro posto sopra il cassetto delle verdure.

6. CONSIGLI E SUGGERIMENTI UTILI

6.1 Rumori normali durante il funzionamento

I seguenti rumori sono da considerarsi normali:

- Un gorgoglio o borbottio dalle serpentine quando viene pompato il refrigerante.
- Un ronzio o un rumore pulsante dal compressore quando viene pompato il refrigerante.
- Uno schiocco improvviso dall'interno dell'apparecchiatura causato dalla dilatazione termica (fenomeno fisico naturale e non pericoloso).
- Un lieve scatto dal regolatore della temperatura quando il compressore si accende e si spegne.

6.2 Consigli per il risparmio energetico

- Non aprire frequentemente la porta e limitare il più possibile i tempi di apertura.

6.3 Consigli per la refrigerazione dei cibi freschi

- Non introdurre alimenti o liquidi caldi nel vano frigorifero
- Coprire o avvolgere gli alimenti, in particolare quelli con un gusto o un aroma forte.
- Disporre gli alimenti in modo da consentire una corretta circolazione dell'aria.

6.4 Consigli per la refrigerazione

Consigli utili:

- Carne (tutti i tipi): deve essere avvolta in appositi sacchetti e collocata sul ripiano di vetro, sopra il cassetto delle verdure. La carne può essere conservata al massimo per 1-2 giorni.
- Alimenti cotti, piatti freddi: coprirli e metterli su un ripiano qualsiasi.
- Frutta e verdura: pulire accuratamente e riporla in un apposito cassetto. Non conservare in frigorifero banane, patate, cipolle o aglio se non confezionati

- Burro e formaggio: riporli in un apposito contenitore sottovuoto oppure avvolgerli in un foglio di alluminio o in un sacchetto di polietilene per limitare il più possibile la presenza di aria.
- Bottiglie: chiuderle con un tappo e conservarle sul ripiano portabottiglie della porta, o (se presente) sulla griglia portabottiglie.

6.5 Consigli per il congelamento

- Congelare solo alimenti freschi, di ottima qualità e accuratamente lavati.
- Per congelare e scongelare in modo più efficace, suddividere gli alimenti in piccole porzioni.
- Avvolgere il cibo in pellicola di alluminio o polietilene. Accertarsi che le confezioni siano a tenuta stagna.
- Al fine di evitare gli aumenti di temperatura di alimenti già congelati, non mettere alimenti freschi scongelati nelle immediate vicinanze.
- I cibi magri si conservano meglio e più a lungo di quelli grassi. Il sale

riduce la durata di conservazione dei cibi.

- Non mangiare i cubetti di ghiaccio, i ghiaccioli o granite subito dopo averli tolti dal congelatore. Rischio di sintomi da congelamento.
- È consigliabile riportare su ogni confezione la data di congelamento, in modo da poter controllare il tempo di conservazione.

6.6 Consigli per la conservazione dei surgelati

- Controllare che i surgelati esposti nei punti vendita non presentino segni di interruzione della catena del freddo
- Il tempo di trasferimento dei surgelati dal punto vendita al congelatore domestico deve essere il più breve possibile
- Una volta scongelati, gli alimenti si deteriorano rapidamente e non possono essere ricongelati.
- Non superare la durata di conservazione indicata sulla confezione.

7. PULIZIA E CURA



AVVERTENZA!

Fare riferimento ai capitoli sulla sicurezza.

7.1 Avvertenze generali



ATTENZIONE!

Prima di qualsiasi intervento di manutenzione, estrarre la spina dalla presa.



Questa apparecchiatura contiene idrocarburi nell'unità di raffreddamento, pertanto le operazioni di manutenzione e ricarica devono essere eseguite esclusivamente da personale autorizzato.



Gli accessori e i componenti dell'apparecchiatura non sono lavabili in lavastoviglie.

7.2 Pulizia dell'interno

Prima di utilizzare l'apparecchiatura per la prima volta, lavare l'interno e gli accessori con acqua tiepida e sapone neutro per eliminare il tipico odore dei prodotti nuovi, quindi asciugare accuratamente.



ATTENZIONE!

Non usare detersivi, polveri abrasive, detersivi a base di cloro od olio, dato che potrebbero danneggiare le finiture.

7.3 Pulizia periodica



ATTENZIONE!

Evitare di tirare, spostare o danneggiare tubi e/o cavi all'interno dell'apparecchiatura.

**ATTENZIONE!**

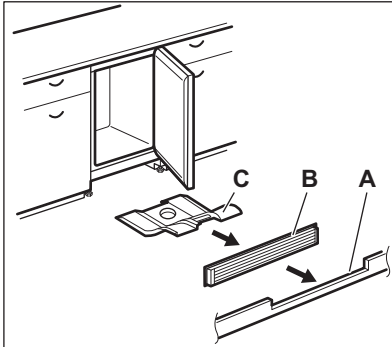
Non danneggiare il sistema refrigerante.

L'apparecchiatura deve essere pulita regolarmente:

1. Lavare l'interno e gli accessori con acqua tiepida e sapone neutro.
2. Ispezionare regolarmente le guarnizioni della porta ed eliminare con un panno umido tracce di sporco e residui.
3. Risciacquare e asciugare accuratamente.
4. Pulire il condensatore e il compressore sul retro dell'apparecchiatura con una spazzola. Ciò migliorerà le prestazioni dell'apparecchiatura riducendone i consumi di energia.

7.4 Pulizia dei canali per l'aria

1. Rimuovere lo zoccolo (A), quindi la griglia di ventilazione (B).



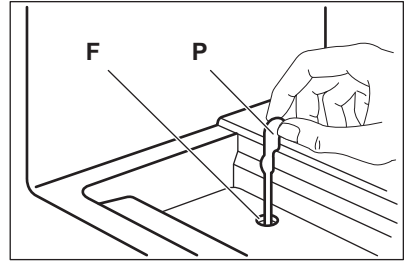
2. Pulire la griglia di ventilazione.
3. Estrarre con cautela il deflettore dell'aria (C), controllando che non ci sia acqua residua dallo sbrinamento.
4. Pulire la parte inferiore dell'apparecchiatura con un aspirapolvere.

7.5 Sbrinamento del frigorifero

Durante l'uso normale, la brina viene eliminata automaticamente dall'evaporatore del vano frigorifero ogni volta che il motore si arresta. L'acqua di sbrinamento giunge

attraverso un condotto in un apposito recipiente posto sul retro dell'apparecchiatura, sopra il motore, dove evapora.

È importante pulire periodicamente il foro di scarico dell'acqua di sbrinamento (F), situato sotto ai cassetti per l'insalata, per evitare che l'acqua fuoriesca sugli alimenti. Usare l'apposito utensile (P) già inserito nel foro di scarico.



7.6 Sbrinamento del congelatore

**ATTENZIONE!**

Per rimuovere la brina dall'evaporatore, non usare utensili metallici appuntiti che possano danneggiarlo. Non usare dispositivi meccanici o altri mezzi artificiali non raccomandati dal produttore allo scopo di accelerare il processo di sbrinamento. Un aumento della temperatura dei surgelati durante lo sbrinamento può ridurre la loro durata di conservazione.



Circa 12 ore prima dello sbrinamento, impostare una temperatura più bassa per accumulare una riserva di freddo sufficiente per l'interruzione del funzionamento.

È normale che sui ripiani del congelatore e intorno allo scomparto superiore si formi, col tempo, uno strato di brina.

Quando tale strato raggiunge uno spessore di circa 3 - 5 mm, è necessario

procedere allo sbrinamento del vano congelatore.

1. Spegnerne l'apparecchiatura o estrarre la spina della presa a parete.
2. Rimuovere i surgelati, avvolgerli in alcuni strati di carta di giornale e riporli in un luogo fresco.



AVVERTENZA!

Non toccare il cibo congelato con le mani bagnate. Le mani potrebbero aderire all'alimento congelato.

3. Lasciare la porta aperta. Per accelerare il processo di sbrinamento, collocare un recipiente di acqua calda nel vano congelatore. Rimuovere inoltre i pezzi di ghiaccio che si staccano prima che lo sbrinamento sia completo.
4. Una volta completato lo sbrinamento, asciugare accuratamente l'interno.
5. Accendere l'apparecchiatura. Dopo tre ore reintrodurre nel vano congelatore gli alimenti precedentemente rimossi.

7.7 Periodi di non utilizzo

Se l'apparecchiatura non viene utilizzata per un lungo periodo, adottare le seguenti precauzioni:

1. Scollegare l'apparecchiatura dalla rete elettrica.
2. Estrarre tutti gli alimenti
3. Scongelare l'apparecchiatura (ove necessario).
4. Pulire l'apparecchiatura e tutti gli accessori.
5. Lasciare la porta/le porte socchiuso/i per evitare la formazione di odori sgradevoli.



ATTENZIONE!

Se si desidera mantenere l'apparecchiatura accesa, farla controllare periodicamente per evitare che gli alimenti si deteriorino in caso di interruzione della corrente elettrica.

8. RISOLUZIONE DEI PROBLEMI



AVVERTENZA!

Fare riferimento ai capitoli sulla sicurezza.

8.1 Cosa fare se...

Problema	Possibile causa	Soluzione
L'apparecchiatura non funziona.	L'apparecchio è spento.	Accendere l'apparecchiatura.
	La spina non è inserita correttamente nella presa di alimentazione.	Inserire correttamente la spina nella presa di alimentazione.
	Assenza di tensione nella presa di alimentazione.	Collegare alla presa di alimentazione un altro apparecchio elettrico. Rivolgersi ad un elettricista qualificato.
L'apparecchiatura è rumorosa.	L'apparecchio non è appoggiato in modo corretto.	Controllare se l'apparecchiatura è appoggiata in modo stabile.

Problema	Possibile causa	Soluzione	
La lampadina non si accende.	La lampadina è in modalità stand-by.	Chiudere e riaprire la porta.	
	La lampada è guasta.	Fare riferimento alla sezione "Sostituzione della lampada".	
Il compressore rimane sempre in funzione.	La temperatura impostata non è corretta.	Fare riferimento al capitolo "Funzionamento".	
	Sono stati introdotti insieme molti alimenti da surgelare.	Attendere alcune ore e ricontrollare la temperatura.	
	La temperatura ambiente è troppo alta	Fare riferimento al grafico della classe climatica sulla targhetta dei dati.	
	Gli alimenti introdotti nell'apparecchiatura erano troppo caldi.	Lasciar raffreddare gli alimenti a temperatura ambiente prima di introdurli.	
Presenza di brina eccessiva.	La porta non è chiusa correttamente.	Consultare la sezione "Chiusura della porta".	
	La porta non è stata chiusa correttamente o la guarnizione è deformata/sporca.	Consultare la sezione "Chiusura della porta".	
	Il tappo dello scarico dell'acqua non è posizionato correttamente.	Posizionare il tappo correttamente.	
	Gli alimenti non sono avvolti correttamente.	Avvolgere correttamente gli alimenti.	
	La temperatura impostata non è corretta.	Fare riferimento al capitolo "Funzionamento".	
	Scorre dell'acqua sul pannello posteriore del frigorifero.	Durante lo sbrinamento automatico, la brina che si forma sul pannello posteriore si scioglie.	Non si tratta di un'anomalia.
	All'interno del frigorifero scorre acqua.	Lo scarico dell'acqua è ostruito.	Pulire lo scarico dell'acqua.
Gli alimenti impediscono all'acqua di scorrere nell'apposito collettore.		Evitare di disporre gli alimenti direttamente contro la parete posteriore.	
Presenza di acqua sul pavimento.	L'acqua di sbrinamento non viene scaricata nella bacinella di evaporazione posta sopra il compressore.	Collegare lo scarico dell'acqua di sbrinamento alla bacinella di evaporazione.	

Problema	Possibile causa	Soluzione
La temperatura all'interno dell'apparecchiatura è troppo bassa/troppo alta.	Il regolatore della temperatura non è impostato correttamente.	Impostare una temperatura superiore/inferiore.
	La porta non è chiusa correttamente.	Consultare la sezione "Chiusura della porta".
	La temperatura degli alimenti è troppo alta.	Prima di introdurre gli alimenti, lasciarli raffreddare a temperatura ambiente.
	Sono stati introdotti molti alimenti contemporaneamente.	Introdurre gli alimenti un poco alla volta.
	Lo spessore dello strato di brina supera i 4 - 5 mm.	Sbrinare l'apparecchiatura.
	Il coperchio viene aperto frequentemente.	Aprire la porta solo se necessario.
	L'aria fredda non circola correttamente all'interno dell'apparecchio.	Adottare le misure necessarie per garantire una corretta circolazione dell'aria fredda.
C'è troppa acqua condensata sulla parete posteriore del frigorifero.	La porta è stata aperta con eccessiva frequenza.	Aprire la porta solo se necessario.
	La porta non è stata chiusa completamente.	Controllare che la porta sia chiusa completamente.
	Il cibo conservato non è stato avvolto nell'apposito materiale.	Avvolgere gli alimenti in un imballaggio adeguato prima di riporli all'interno dell'apparecchiatura.
La porta non si apre facilmente.	Hai cercato di ri-aprire la porta subito dopo averla chiusa.	Attendere alcuni secondi fra la chiusura e la riapertura della porta.



Se il consiglio non da risultati, contattare il Centro di Assistenza Autorizzato più vicino.



Consigliamo caldamente di servirsi unicamente di pezzi di ricambio originali.

8.2 Sostituzione della lampadina



L'apparecchiatura è dotata di una lampadina interna a LED a lunga durata.



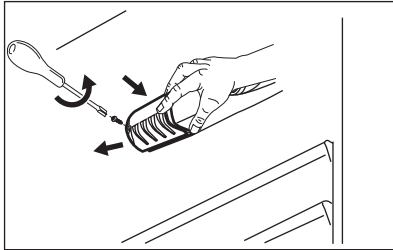
Usare solo lampadine LED (base E14). La potenza massima è indicata sull'unità lampada.



ATTENZIONE!

Estrarre la spina dalla presa di corrente.

1. Usando un cacciavite, rimuovere la vite dal coprilampada.
2. Staccare il coperchio della lampada nella direzione delle frecce.



3. Sostituire la lampadina con una della stessa potenza e con caratteristiche

identiche, specificamente studiata per gli elettrodomestici.

4. Rimontare il coprilampada.
5. Serrare la vite del coprilampada.
6. Inserire la spina nella presa.
7. Aprire l'oblò.
Controllare che la luce si accenda.

8.3 Chiusura della porta

1. Pulire le guarnizioni della porta.
2. Se necessario, regolare la porta.
Leggere attentamente le istruzioni di montaggio.
3. Se necessario, sostituire le guarnizioni difettose. Contattare il Centro di Assistenza autorizzato.

9. DATI TECNICI

9.1 Documentazione tecnica

Marchio Commerciale	AEG
Modello	SFB58221AF 933025054
Categoria	7. Frigo-congelatore
Classe di efficienza energetica	A++
Consumo di energia in kWh/anno, basato sui risultati di prove standard per 24 ore. Il consumo effettivo dipende dalla modalità di utilizzo dell'apparecchio e dal luogo in cui è installato	139
Volume utile in litri, Frigorifero	93
Volume utile in litri, Stella	16
Volume utile in litri, Zona cantina	-
Volume utile in litri, Vino	-
Volume utile in litri, Totale	109
Volume utile in litri, Freezer	-
Volume utile in litri, Raffreddatore	-
Volume utile in litri, Altri scomparti	-
Numero di stelle dello scomparto freezer con il volume utile più alto (l)	****
Temperatura di progetto degli altri scomparti > 14°C (°C), se esistente	-
Antibrina (S/N), Frigorifero	No

Antibrina (S/N), Freezer	No
Autonomia di conservazione senza energia elettrica in h	11
Capacità di congelamento in kg/24h	2,5
Classe climatica	SN-N-ST-T
Temperatura ambiente più bassa alla quale è destinato l'uso di questa apparecchiatura, in °C	10
Temperatura ambiente più alta alla quale è destinato l'uso di questa apparecchiatura, in °C	43
Emissioni di rumore acustico dB(A) re1 pW	37
Apparecchiatura da incasso S/N	Si
Apparecchio destinato esclusivamente alla conservazione del vino S/N	No


9.2 Dati tecnici aggiuntivi


Dimensioni della apparecchiatura	
Altezza	815 mm
Larghezza	596 mm

Profondità	550 mm
Tensione	230 - 240 V
Frequenza	50 Hz

I dati tecnici sono riportati sulla targhetta dei dati applicata sul lato esterno o interno dell'apparecchiatura e sull'etichetta dei valori energetici.

10. CONSIDERAZIONI SULL'AMBIENTE

Riciclare i materiali con il simbolo . Buttare l'imballaggio negli appositi contenitori per il riciclaggio. Aiutare a proteggere l'ambiente e la salute umana e a riciclare rifiuti derivanti da apparecchiature elettriche ed elettroniche. Non smaltire le

apparecchiature che riportano il simbolo  insieme ai normali rifiuti domestici. Portare il prodotto al punto di riciclaggio più vicino o contattare il comune di residenza.

ÍNDICE

1. INFORMAÇÕES DE SEGURANÇA.....	31
2. INSTRUÇÕES DE SEGURANÇA.....	33
3. INSTALAÇÃO.....	35
4. FUNCIONAMENTO.....	36
5. UTILIZAÇÃO DIÁRIA.....	37
6. SUGESTÕES E DICAS.....	38
7. MANUTENÇÃO E LIMPEZA.....	39
8. RESOLUÇÃO DE PROBLEMAS.....	41
9. DADOS TÉCNICOS.....	44

PARA RESULTADOS PERFEITOS

Obrigado por escolher este produto AEG. Criámo-lo para lhe oferecer um desempenho impecável durante muitos anos, com tecnologias inovadoras que tornam a sua vida mais fácil – funcionalidades que poderá não encontrar em aparelhos comuns. Continue a ler durante alguns minutos para tirar o máximo partido do produto.

Visite o nosso website para:



Resolver problemas e obter conselhos de utilização, catálogos e informações sobre assistência:

www.aeg.com/webselfservice



Registar o seu produto para beneficiar de um serviço melhor:

www.registeraeg.com



Adquirir acessórios, consumíveis e peças de substituição originais para o seu aparelho:

www.aeg.com/shop

APOIO AO CLIENTE E ASSISTÊNCIA

Utilize sempre peças de substituição originais.

Quando contactar o nosso Centro de Assistência Técnica Autorizado, certifique-se de que tem os seguintes dados disponíveis: Modelo, PNC, Número de Série.

A informação encontra-se na placa de características.

 Aviso / Cuidado - Informações de segurança

 Informações gerais e sugestões

 Informações ambientais

Sujeito a alterações sem aviso prévio.

1. INFORMAÇÕES DE SEGURANÇA

Leia atentamente as instruções fornecidas antes de instalar e utilizar o aparelho. O fabricante não poderá ser responsabilizado por ferimentos ou danos resultantes de instalação incorreta ou utilização

incorreta. Guarde sempre as instruções num sítio seguro e acessível para consultar no futuro.

1.1 Segurança para crianças e pessoas vulneráveis

- Este aparelho pode ser utilizado por crianças de 8 ou mais anos de idade e por pessoas com capacidades físicas, sensoriais ou mentais reduzidas ou com pouca experiência e conhecimento se tiverem recebido supervisão ou instruções relativas à utilização do aparelho de forma segura e compreenderem os perigos envolvidos.
- Este aparelho pode ser utilizado por crianças com idade entre 3 e 8 anos e pessoas portadoras de incapacidade profunda e complexa desde que recebam as instruções adequadas.
- As crianças com menos de 3 anos de idade devem ser mantidas afastadas do aparelho ou constantemente vigiadas.
- Não permita que as crianças brinquem com o aparelho.
- A limpeza e a manutenção básica do aparelho não devem ser efetuadas por crianças sem supervisão.
- Mantenha todos os materiais de embalagem fora do alcance das crianças e elimine-os de forma apropriada.

1.2 Segurança geral

- Este aparelho destina-se exclusivamente a utilizações domésticas ou semelhantes, tais como:
 - turismo rural; áreas de cozinha destinadas ao pessoal em lojas, escritórios e outros ambientes de trabalho;
 - utilização por clientes de hotéis, motéis e outros ambientes do tipo residencial.
- AVISO: As aberturas de ventilação do aparelho ou da estrutura onde ele se encontra encastrado têm de ser mantidas sem obstruções.

- **AVISO:** Não utilize um dispositivo mecânico ou qualquer meio artificial para acelerar o processo de descongelação além daqueles recomendados pelo fabricante.
- **AVISO:** Não danifique o circuito de refrigeração.
- **AVISO:** Não utilize aparelhos elétricos dentro dos compartimentos do aparelho destinados a alimentos, a não ser que sejam do tipo recomendado pelo fabricante.
- Não utilize jatos de água ou vapor para limpar o aparelho.
- Limpe o aparelho com um pano macio e húmido. Utilize apenas detergentes neutros. Não utilize produtos abrasivos, esfregões, solventes ou objetos metálicos.
- Não guarde substâncias explosivas, como latas de aerossóis com agente pressurizante inflamável, dentro do aparelho.
- Se o cabo de alimentação estiver danificado, deve ser substituído pelo fabricante, por um Centro de Assistência Técnica Autorizado ou por uma pessoa igualmente qualificada, para evitar perigos.

2. INSTRUÇÕES DE SEGURANÇA

2.1 Instalação



AVISO!

A instalação deste aparelho tem de ser efetuada por uma pessoa qualificada.

- Remova toda a embalagem.
- Não instale nem utilize o aparelho se ele estiver danificado.
- Não utilize o aparelho antes de o instalar de forma segura na estrutura de encastre.
- Siga as instruções de instalação fornecidas com o aparelho.
- Tenha sempre cuidado quando deslocar o aparelho porque ele é pesado. Utilize sempre luvas e calçado de proteção.
- Certifique-se de que o ar pode circular em torno do aparelho.
- Após a instalação ou após uma inversão da porta, aguarde pelo menos 4 horas antes de ligar o aparelho à alimentação elétrica. Isto permite que o óleo regresse ao compressor.
- Antes de efetuar qualquer operação no aparelho (por exemplo, inverter a porta), retire a ficha da tomada elétrica.
- Não instale o aparelho perto de radiadores, fogões, fornos ou placas.
- Não exponha o aparelho a chuva.
- Não instale o aparelho em locais com luz solar direta.
- Não instale este aparelho em locais demasiado húmidos ou frios.

- Quando deslocar o aparelho, eleve-o na parte da frente para evitar riscar o chão.

2.2 Ligação elétrica



AVISO!

Risco de incêndio e choque elétrico.



AVISO!

Quando colocar o aparelho na posição definitiva, certifique-se de que o cabo de alimentação não fica entalado ou danificado.



AVISO!

Não utilize adaptadores com várias tomadas, nem cabos de extensão.

- O aparelho tem de ficar ligado à terra.
- Certifique-se de que os parâmetros indicados na placa de características são compatíveis com a alimentação elétrica.
- Utilize sempre uma tomada bem instalada e à prova de choques elétricos.
- Certifique-se de que não danifica os componentes elétricos (ficha e cabo de alimentação elétrica, compressor, etc.). Contacte um Centro de Assistência Técnica Autorizado ou um electricista se for necessário substituir componentes elétricos.
- O cabo de alimentação deve ficar abaixo do nível da ficha.
- Ligue a ficha à tomada elétrica apenas no final da instalação. Certifique-se de que a ficha fica acessível após a instalação.
- Não puxe o cabo de alimentação para desligar o aparelho. Puxe sempre a ficha de alimentação.

2.3 Utilização



AVISO!

Risco de ferimentos, queimaduras, choque elétrico ou incêndio.



O aparelho contém gás inflamável, isobutano (R600a), que é um gás natural com um alto nível de compatibilidade ambiental. Tenha cuidado para não provocar danos no circuito de refrigeração que contém isobutano.

- Não altere as especificações deste aparelho.
- Não coloque dispositivos elétricos (por ex. máquinas de fazer gelados) no interior do aparelho, exceto se forem autorizados pelo fabricante.
- Se ocorrerem danos no circuito de refrigeração, certifique-se de que não existem chamas e fontes de ignição na divisão. Ventile bem a divisão.
- Não permita que objetos quentes toquem nas peças de plástico do aparelho.
- Não coloque bebidas gaseificadas dentro do congelador. Isto irá criar pressão no recipiente da bebida.
- Não guarde gases e líquidos inflamáveis no aparelho.
- Não coloque produtos inflamáveis, ou objetos molhados com produtos inflamáveis, no interior, perto ou em cima do aparelho.
- Não toque no compressor ou no condensador. Estão quentes.
- Não remova nem toque em peças do compartimento de congelação com as mãos húmidas ou molhadas.
- Não volte a congelar alimentos que já foram descongelados.
- Cumpra as instruções de armazenamento das embalagens dos alimentos congelados.
- Embale os alimentos em material próprio para contacto com alimentos antes de os colocar no congelador.

2.4 Luz interior



AVISO!

Risco de choque elétrico.

- Este aparelho utiliza uma lâmpada de um tipo que se destina exclusivamente a aparelhos domésticos. Não a utilize para iluminação em casa.

2.5 Manutenção e limpeza



AVISO!

Risco de ferimentos ou danos no aparelho.

- Antes de qualquer acção de manutenção, desactive o aparelho e desligue a ficha da tomada eléctrica.
- Este aparelho contém hidrocarbonetos na sua unidade de arrefecimento. A manutenção e o recarregamento só devem ser efectuados por uma pessoa qualificada.
- Inspeccione regularmente o escoamento do aparelho e limpe-o, se necessário. Se o orifício de escoamento estiver bloqueado, a água descongelada fica acumulada na parte inferior do aparelho.

2.6 Assistência

- Contacte um Centro de Assistência Técnica Autorizado se for necessário reparar o aparelho.
- Utilize apenas peças de substituição originais.

2.7 Eliminação



AVISO!

Risco de ferimentos ou asfixia.

- Desligue o aparelho da alimentação eléctrica.
- Corte o cabo de alimentação eléctrica e elimine-o.
- Remova a porta para evitar que crianças ou animais de estimação fiquem fechados no interior do aparelho.
- O circuito de refrigeração e os materiais de isolamento deste aparelho não prejudicam a camada de ozono.
- A espuma de isolamento contém gás inflamável. Contacte a sua autoridade municipal para saber como eliminar o aparelho correctamente.
- Não provoque danos na parte da unidade de arrefecimento que está próxima do permutador de calor.

3. INSTALAÇÃO



AVISO!

Consulte os capítulos relativos à segurança.

3.1 Localização



Consulte as instruções de montagem para efectuar a instalação.

Para garantir o melhor desempenho, instale o aparelho bem afastado de fontes de calor, como sejam radiadores, caldeiras, luz solar directa, etc. Certifique-se de que o ar pode circular livremente atrás do armário.

3.2 Posicionamento

Instale o aparelho num espaço interior seco e bem ventilado, onde a temperatura ambiente corresponda à classe climática indicada na placa de características do aparelho.

Classe climática	Temperatura ambiente
SN	+10°C a +32°C
N	+16°C a +32°C
ST	+16°C a +38°C
T	+16°C a +43°C



Podem ocorrer alguns problemas de funcionamento em alguns tipos de modelos se estiverem a funcionar fora destas condições. O funcionamento correcto só pode ser garantido no intervalo de temperaturas indicado. Se tiver dúvidas em relação ao local onde deve instalar o aparelho, contacte o vendedor, o nosso serviço de apoio ao cliente ou o Centro de Assistência Técnica Autorizado mais próximo.

3.3 Ligação elétrica

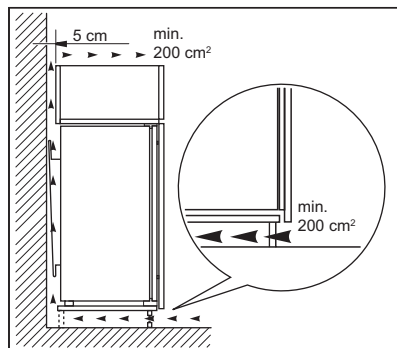
- Antes de ligar a ficha na tomada, certifique-se de que a voltagem e a frequência indicadas na placa de características correspondem à rede elétrica da sua casa.
- O aparelho tem de ficar ligado à terra. A ficha do cabo de alimentação é fornecida com um contacto para esse fim. Se a tomada elétrica doméstica não estiver ligada à terra, ligue o aparelho a uma ligação à terra separada que cumpra as normas

atuais; consulte um electricista qualificado.

- O fabricante declina toda a responsabilidade caso as precauções de segurança acima não sejam cumpridas.
- Este aparelho está em conformidade com as Diretivas da C.E.E.

3.4 Requisitos de ventilação

A circulação de ar na parte posterior do aparelho tem de ser suficiente.



CUIDADO!

Consulte as instruções de montagem para efectuar a instalação.

4. FUNCIONAMENTO

4.1 Ligar

1. Introduza a ficha na tomada eléctrica.
2. Rode o regulador da temperatura no sentido horário para uma regulação média.

4.2 Desligar

Para desligar o aparelho, rode o regulador da temperatura para a posição "O".

4.3 Regulação da temperatura

A temperatura é regulada automaticamente.

1. Rode o regulador de temperatura para definições inferiores para obter frio mínimo.

2. Rode o regulador de temperatura para definições superiores para obter frio máximo.



Normalmente, uma definição média é a mais adequada.

No entanto, a regulação exacta deve ser escolhida tendo em conta que a temperatura no interior do aparelho depende do seguinte:

- temperatura ambiente;
- frequência de abertura da porta;
- quantidade de alimentos armazenados;
- localização do aparelho.

**CUIDADO!**

Se a temperatura ambiente for elevada ou se o aparelho estiver completamente cheio e estiver regulado para as temperaturas mais baixas, pode funcionar continuamente e provocar a formação de gelo na parede posterior. Neste caso, o regulador deve ser colocado numa temperatura mais elevada para permitir a descongelação automática e reduzir o consumo de energia.

5. UTILIZAÇÃO DIÁRIA

**AVISO!**

Consulte os capítulos relativos à segurança.

5.1 Congelar alimentos frescos

O compartimento do congelador é adequado para congelar alimentos frescos e conservar alimentos congelados e ultracongelados a longo prazo.

Para congelar alimentos frescos, não é necessário alterar a definição média.

No entanto, para uma operação de congelação mais rápida, rode o regulador de temperatura para definições superiores para obter a frescura máxima.

**CUIDADO!**

Neste estado, a temperatura do compartimento do frigorífico pode descer abaixo dos 0 °C. Se isto ocorrer, volte a colocar o regulador da temperatura numa definição mais quente.

5.2 Armazenamento de alimentos congelados

Quando ligar pela primeira vez ou após um período sem utilização, deixe o aparelho em funcionamento durante 2

horas ou mais na regulação máxima antes de colocar produtos.



Em caso de descongelação accidental, por exemplo, devido a uma falha de energia, se a energia faltar durante mais tempo do que o indicado na tabela de características técnicas em “Tempo de autonomia”, os alimentos descongelados têm de ser consumidos rapidamente ou cozinhados imediatamente e depois novamente congelados (após arrefecerem).

5.3 Descongelação

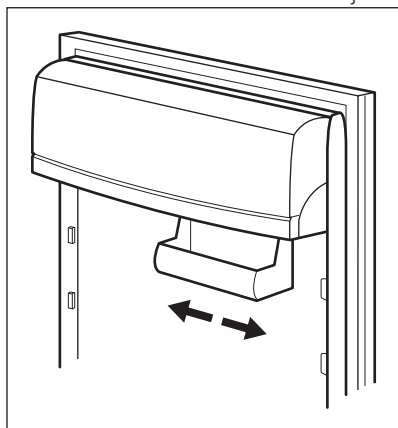
Antes de serem utilizados, os alimentos congelados e ultra-congelados podem ser descongelados no compartimento do frigorífico ou à temperatura ambiente, dependendo do tempo disponível para esta operação.

Os artigos pequenos podem ser cozinhados ainda congelados, logo após retirados do congelador: neste caso, a cozedura demora mais tempo.

5.4 Posicionamento das prateleiras da porta

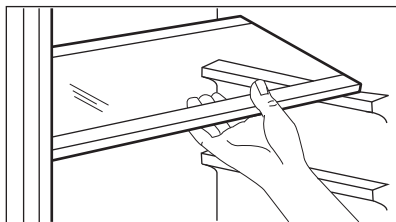
Para permitir o armazenamento de embalagens de alimentos de várias dimensões, as prateleiras da porta podem ser colocadas a diferentes alturas.

1. Puxe a prateleira gradualmente para cima até que ela se desencaixe.
2. Volte a colocar conforme desejar.



5.5 Prateleiras móveis

As paredes do frigorífico possuem várias calhas que permitem posicionar as prateleiras conforme pretendido.



- i** Não desloque a prateleira de vidro que cobre a gaveta de legumes, para garantir uma circulação de ar correcta.

6. SUGESTÕES E DICAS

6.1 Sons de funcionamento normais

Os seguintes sons são normais durante o funcionamento:

- Um som de gorgolejar ou borbulhar quando o refrigerante está a ser bombeado.
- Um som sibilante e ritmado proveniente do compressor quando o refrigerante está a ser bombeado.
- Um ruído repentino de estilhaçar no interior do aparelho, causado pela dilatação térmica (fenómeno físico natural e não perigoso).
- Um ruído de clique proveniente do regulador de temperatura quando o compressor é ligado e desligado.

6.2 Conselhos para poupar energia

- Não abra a porta muitas vezes, nem a deixe aberta mais tempo do que o absolutamente necessário.

6.3 Conselhos para a refrigeração de alimentos frescos

- Não armazene alimentos quentes ou líquidos que se evaporam no frigorífico.
- Cubra ou embale os alimentos, especialmente se tiverem um odor forte.
- Posicione os alimentos de modo a permitir que o ar circule livremente em redor deles.

6.4 Conselhos para a refrigeração

Conselhos úteis:

- Carne (todos os tipos): embale em embalagens adequadas e coloque na prateleira de vidro por cima da gaveta de legumes. A carne conserva-se por 1 ou 2 dias no máximo.
- Alimentos cozinhados e pratos frios: cubra e coloque em qualquer prateleira.
- Fruta e legumes: lave bem e coloque numa gaveta especial. Alguns produtos, como bananas, batatas, cebolas e alho, não devem ser guardados no frigorífico se não estiverem embalados.
- Manteiga e queijo: coloque em recipientes herméticos especiais ou embale em folha de alumínio ou sacos de polieteno para excluir o máximo de ar possível.
- Garrafas: devem ter uma tampa e devem ser colocadas na prateleira de garrafas da porta ou noutra prateleira de garrafas (se existir).

6.5 Conselhos para a congelação

- Congele apenas alimentos de alta qualidade, frescos e bem limpos.
- Para melhorar a eficiência ao congelar e descongelar, divida os alimentos em porções pequenas.
- Envolve os alimentos em folha de alumínio ou película de polieteno. Certifique-se de que as embalagens ficam bem vedadas.

- Para evitar aumentos de temperatura nos alimentos já congelados, não coloque os alimentos frescos em contacto com os congelados.
- Os alimentos sem gordura conservam-se durante mais tempo do que os alimentos com gordura. O sal reduz o tempo de armazenamento dos alimentos.
- Não se deve comer cubos de gelo ou gelados à base de água imediatamente após serem retirados do congelador. Existe o risco de queimaduras por frio.
- É aconselhável que anote a data de congelação em cada embalagem para poder controlar o tempo de armazenamento.

6.6 Conselhos para o armazenamento de alimentos congelados

- Certifique-se de que os alimentos congelados comercialmente foram armazenados adequadamente pelo vendedor.
- Certifique-se de que os alimentos congelados são transferidos do supermercado para o congelador no tempo mais curto possível.
- Uma vez descongelados, os alimentos degradam-se rapidamente e não podem voltar a ser congelados.
- Não exceda o período de armazenamento indicado pelo produtor de cada alimento.

7. MANUTENÇÃO E LIMPEZA



AVISO!

Consulte os capítulos relativos à segurança.

7.1 Avisos gerais



CUIDADO!

Desligue o aparelho da tomada eléctrica antes de qualquer operação de manutenção.



Este aparelho contém hidrocarbonetos na unidade de refrigeração, pelo que a manutenção e a recarga devem ser efectuadas exclusivamente por técnicos autorizados.



Os acessórios e as peças deste aparelho não podem ser lavados na máquina de lavar loiça.

7.2 Limpeza do interior

Antes de utilizar o aparelho pela primeira vez, limpe o interior e todos os acessórios internos com água morna e detergente neutro, para remover o cheiro típico de um produto novo, e seque minuciosamente.



CUIDADO!

Não utilize detergentes, pós abrasivos, cloro ou produtos de limpeza à base de óleos, porque estes produtos danificam o acabamento.

7.3 Limpeza periódica



CUIDADO!

Não puxe, não desloque, nem danifique quaisquer tubos e/ou cabos no interior do aparelho.



CUIDADO!

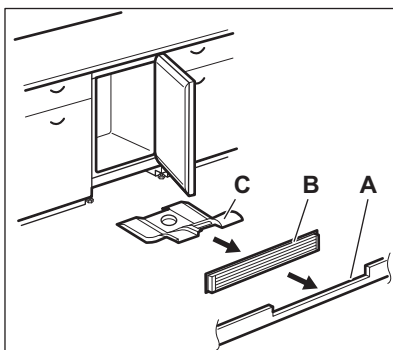
Não danifique o circuito de refrigeração.

O equipamento tem de ser limpo regularmente:

1. Limpe o interior e os acessórios com água morna e um pouco de detergente neutro.
2. Verifique regularmente os vedantes da porta e limpe-os para garantir que estão limpos e sem resíduos.
3. Enxagúe e seque cuidadosamente.
4. Se estiver acessível, limpe o condensador e o compressor na parte de trás do aparelho com uma escova.
Esta operação vai melhorar o desempenho do aparelho e reduzir o consumo de electricidade.

7.4 Limpar os canais de ar

1. Retire o rodapé (A) e depois a grelha de ventilação (B).

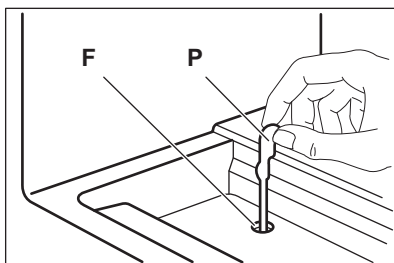


2. Limpe a grelha de ventilação.
3. Retire cuidadosamente o deflector do ar (C), certificando-se de que não fica água resultante da descongelação.
4. Limpe a parte inferior do aparelho com um aspirador.

7.5 Descongelo do frigorífico

O gelo é eliminado automaticamente do evaporador do compartimento do frigorífico sempre que o compressor motorizado pára, durante o funcionamento normal. A água resultante da descongelação é drenada por um canal para um recipiente especial colocado na parte traseira do aparelho, sobre o compressor motorizado, onde evapora.

É importante limpar periodicamente o orifício de escoamento da água resultante da descongelação (F), que se encontra debaixo das gavetas para legumes, para evitar que transborde para os alimentos. Utilize o acessório de limpeza especial fornecido (P), que pode encontrar já inserido no orifício de escoamento.



7.6 Descongelar o congelador



CUIDADO!

Nunca utilize objectos metálicos afiados para raspar o gelo do evaporador, porque pode danificá-lo. Não utilize um dispositivo mecânico ou qualquer meio artificial para acelerar o processo de descongelação além dos recomendados pelo fabricante. Um aumento da temperatura das embalagens dos alimentos congelados, durante a descongelação, pode reduzir o tempo de armazenamento seguro.



Cerca de 12 horas antes de descongelar, seleccione uma temperatura inferior para criar uma reserva de frio suficiente para a interrupção do funcionamento.

Vai sempre formar-se uma certa quantidade de gelo nas prateleiras do congelador e em redor do compartimento superior.

Descongele o congelador quando a camada de gelo atingir uma espessura de cerca de 3 a 5 mm.

1. Desligue o aparelho ou retire a ficha da tomada eléctrica.
2. Retire os alimentos armazenados, embrulhe-os em várias folhas de jornal e coloque-os num local frio.



AVISO!

Não toque nos produtos congelados com as mãos molhadas. Pode ficar com as mãos coladas aos produtos.

3. Deixe a porta aberta.
Para acelerar o processo de descongelação, coloque um tacho com água quente no compartimento do congelador. Retire os pedaços de gelo que se tenham partido antes do fim da descongelação.
4. Quando a descongelação terminar, seque o interior minuciosamente.
5. Ligue o aparelho.
Após três horas, volte a colocar os alimentos no compartimento do congelador.

7.7 Períodos de inatividade

Quando não pretender utilizar o aparelho durante bastante tempo, adote as seguintes precauções:

1. Desligue o aparelho da alimentação eléctrica.
2. Retire todos os alimentos.
3. Descongele o aparelho (se necessário).
4. Limpe o aparelho e todos os acessórios.
5. Deixe a(s) porta(s) aberta(s) para evitar cheiros desagradáveis.



CUIDADO!

Se pretender deixar o aparelho ligado, peça a alguém para o verificar com alguma regularidade, para evitar que os alimentos no interior se estraguem em caso de falha de energia.

8. RESOLUÇÃO DE PROBLEMAS



AVISO!

Consulte os capítulos relativos à segurança.

8.1 O que fazer se...

Problema	Causa possível	Solução
O aparelho não funciona.	O aparelho está desligado.	Ligue o aparelho.
	A ficha não está corretamente introduzida na tomada elétrica.	Ligue a ficha corretamente na tomada elétrica.
	Não existe tensão na tomada elétrica.	Ligue outro aparelho elétrico na tomada elétrica. Contacte um electricista qualificado.
O aparelho emite demasiado ruído.	O aparelho não está apoiado corretamente.	Verifique se o aparelho está estável.
A lâmpada não funciona.	A lâmpada está em espera.	Feche e abra a porta.
	A lâmpada está avariada.	Consulte "Substituir a lâmpada".
O compressor funciona continuamente.	A temperatura selecionada não é adequada.	Consulte o capítulo "Funcionamento".
	Foram colocados muitos alimentos para congelar ao mesmo tempo.	Aguarde algumas horas e volte a verificar a temperatura.
	A temperatura ambiente está demasiado elevada.	Consulte a classe climática na placa de características.
	Os alimentos colocados no aparelho estavam demasiado quentes.	Deixe que os alimentos arrefeçam até à temperatura ambiente antes de os guardar.
	A porta não está bem fechada.	Consulte "Fechar a porta".
Existe demasiado gelo acumulado.	A porta não está bem fechada ou a junta da porta está deformada/suja.	Consulte "Fechar a porta".
	O tampão de escoamento da água não está bem colocado.	Coloque o tampão de escoamento da água na posição correta.
	Os alimentos não estão embalados corretamente.	Embale melhor os alimentos.
	A temperatura selecionada não é adequada.	Consulte o capítulo "Funcionamento".

Problema	Causa possível	Solução
Há água a escorrer na parede posterior do frigorífico.	Durante o processo de descongelação automática, o gelo descongela na parede posterior.	Isto é normal.
Há água que escorre para o frigorífico.	A saída da água está obstruída.	Limpe a saída da água.
	Existem alimentos a impedir que a água esorra para o coletor da água.	Certifique-se de que os alimentos não tocam na parede traseira.
Existe água a escorrer para o chão.	A saída da água descongelada não está ligada ao tabuleiro de evaporação, por cima do compressor.	Encaixe o tubo de saída da água descongelada no tabuleiro de evaporação.
A temperatura no aparelho está demasiado baixa/alta.	O regulador de temperatura não está bem regulado.	Selecione uma temperatura mais alta/baixa.
	A porta não está bem fechada.	Consulte "Fechar a porta".
	A temperatura de algum produto está demasiado elevada.	Deixe que a temperatura dos alimentos diminua até à temperatura ambiente antes de os guardar.
	Guardou demasiados alimentos ao mesmo tempo.	Guarde menos alimentos ao mesmo tempo.
	A espessura do gelo acumulado é superior a 4-5 mm.	Descongele o aparelho.
	A porta foi aberta muitas vezes.	Abra a porta apenas quando for mesmo necessário.
	Não há circulação de ar frio no interior do aparelho.	Certifique-se de que o ar frio pode circular no interior do aparelho.
Existe demasiada água condensada na parede traseira do frigorífico.	A porta foi aberta demasiadas vezes.	Abra a porta apenas quando for mesmo necessário.
	A porta não está totalmente fechada.	Certifique-se de que a porta está totalmente fechada.
	Os alimentos armazenados não estão embalados.	Coloque os alimentos em embalagens adequadas antes de os guardar no aparelho.

Problema	Causa possível	Solução
A porta não abre facilmente.	Tentou reabrir a porta imediatamente após a fechar.	Aguarde alguns segundos entre o fecho e a reabertura da porta.

i Se estes conselhos não permitirem a resolução do problema, contacte o Centro de Assistência Técnica Autorizado mais próximo.

8.2 Substituir a lâmpada

i O aparelho está equipado com uma luz interior LED de longa duração.

i Recomendamos vivamente que utilize apenas peças de substituição originais.

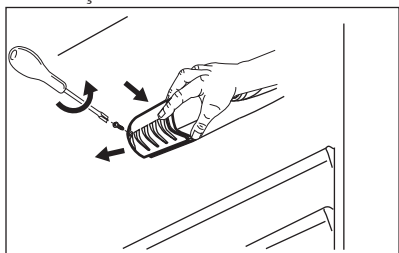
i Utilize apenas lâmpadas LED (casquilho E14). A potência máxima está indicada na unidade da lâmpada.



CUIDADO!

Desligue a ficha da tomada elétrica.

1. Com uma chave de parafusos, retire o parafuso da tampa da lâmpada.
2. Retire a tampa da lâmpada na direção das setas.



3. Substitua a lâmpada por uma com características idênticas e especialmente concebida para aparelhos domésticos.
4. Reinstale a tampa da lâmpada.
5. Aperte o parafuso da tampa da lâmpada.
6. Ligue a ficha na tomada elétrica.
7. Abra a porta.
Certifique-se de que a lâmpada acende.

8.3 Fechar a porta

1. Limpe as juntas da porta.
2. Se necessário, ajuste a porta. Consulte as instruções de montagem.
3. Se as juntas da porta estiverem defeituosas, substitua-as. Contacte um Centro de Assistência Técnica Autorizado.

9. DADOS TÉCNICOS

9.1 Ficha de informação do produto

Marca comercial

AEG

Modelo	SFB58221AF 933025054
Categoria	7. Frigorífico-congelador
Classe de eficiência energética	A++
Consumo de energia em kWh por ano, com base nos resultados de teste normalizados durante 24 horas. O valor real do consumo de energia dependerá do modo de utilização do aparelho e da sua localização.	139
Volume de armazenagem em litros, frigorífico	93
Volume de armazenagem em litros, Zona de estrelas	16
Volume de armazenagem em litros, Zona de adega	-
Volume de armazenagem em litros, Vinho	-
Volume de armazenagem em litros, Total	109
Volume de armazenagem em litros, Congelador	-
Volume de armazenagem em litros, Compartimento refrigerado	-
Volume de armazenagem em litros, Outros compartimentos	-
Classificação de estrelas do compartimento do congelador ao maior volume de armazenagem (l)	****
Temperatura de design dos outros compartimentos > 14 °C (°C), se existentes	-
Sem gelo (S/N), Frigorífico	Não
Sem gelo (S/N), Congelador	Não
Segurança de corte de alimentação em h	11
Capacidade de congelamento em kg/24 h	2,5
Classe de climatização	SN-N-ST-T
Temperatura ambiente mais baixa de utilização deste eletrodoméstico, em °C	10
Temperatura ambiente mais alta de utilização deste eletrodoméstico, em °C	43
Nível de emissão de ruído dB(A) re1 pW	37
Eletrodoméstico de encastrar S/N	Sim
A utilização deste eletrodoméstico é exclusivamente para o armazenamento de vinho S/N	Não


9.2 Dados técnicos adicionais


Dimensões do aparelho	
Altura	815 mm
Largura	596 mm
Profundidade	550 mm

Tensão	230 - 240 V
Frequência	50 Hz

As informações técnicas encontram-se na placa de características, que está no exterior ou no interior do aparelho e na etiqueta de energia.

10. PREOCUPAÇÕES AMBIENTAIS

Recicle os materiais que apresentem o símbolo . Coloque a embalagem nos contentores indicados para reciclagem. Ajude a proteger o ambiente e a saúde pública através da reciclagem dos aparelhos eléctricos e electrónicos. Não elimine os aparelhos que tenham o

símbolo  juntamente com os resíduos domésticos. Coloque o produto num ponto de recolha para reciclagem local ou contacte as suas autoridades municipais.

CONTENIDO

1. INFORMACIÓN SOBRE SEGURIDAD.....	47
2. INSTRUCCIONES DE SEGURIDAD.....	49
3. INSTALACIÓN.....	51
4. FUNCIONAMIENTO.....	52
5. USO DIARIO.....	53
6. CONSEJOS.....	54
7. MANTENIMIENTO Y LIMPIEZA.....	55
8. SOLUCIÓN DE PROBLEMAS.....	58
9. DATOS TÉCNICOS.....	61

PARA OBTENER RESULTADOS PERFECTOS

Gracias por escoger este producto AEG. Este artículo ha sido creado para ofrecer un rendimiento impecable durante muchos años, con innovadoras tecnologías que facilitarán su vida y prestaciones que probablemente no encuentre en electrodomésticos corrientes. Por favor, dedique algunos minutos a la lectura para disfrutar de todas sus ventajas.

Consulte en nuestro sitio web:



Obtener consejos, folletos, soluciones a problemas e información de servicio:
www.aeg.com/webselfservice



Registrar su producto para recibir un mejor servicio:
www.registreaeg.com



Adquirir accesorios, artículos de consumo y recambios originales para su aparato:
www.aeg.com/shop

ATENCIÓN Y SERVICIO AL CLIENTE

Le recomendamos que utilice recambios originales.

Al contactar con nuestro centro autorizado de servicio técnico, cerciñese de tener la siguiente información a mano: Modelo, PNC, Número de serie.

La información se puede encontrar en la placa de características.

 Advertencia / Precaución- Información sobre seguridad

 Información general y consejos

 Información sobre el medio ambiente

Salvo modificaciones.

1. INFORMACIÓN SOBRE SEGURIDAD

Antes de instalar y utilizar el aparato, lea atentamente las instrucciones facilitadas. El fabricante no se hace responsable de lesiones o daños producidos como resultado de una instalación o un uso incorrectos.

Conserve siempre estas instrucciones en lugar seguro y accesible para futuras consultas.

1.1 Seguridad de niños y personas vulnerables

- Este aparato puede ser utilizado por niños de 8 años en adelante y personas cuyas capacidades físicas, sensoriales o mentales estén disminuidas o que carezcan de la experiencia y conocimientos suficientes para manejarlo, siempre que cuenten con las instrucciones o la supervisión sobre el uso del electrodoméstico de forma segura y comprendan los riesgos.
- Este aparato pueden utilizarlo niños entre 3 y 8 años, así como las personas con minusvalías importantes y complejas, siempre que estén bajo supervisión continua.
- Es necesario mantener alejados del aparato a los niños de menos de 3 años salvo que estén bajo supervisión continua.
- No deje que los niños jueguen con el aparato.
- La limpieza y mantenimiento de usuario del aparato no podrán ser realizados por niños sin supervisión.
- Mantenga todo el material de embalaje fuera del alcance de los niños y deséchelo de forma adecuada.

1.2 Seguridad general

- Este aparato está concebido para utilizarse en aplicaciones domésticas y similares, tales como:
 - Granjas; áreas de cocina para el personal en tiendas, oficinas y otros entornos de trabajo
 - Por clientes en hoteles, moteles, pensiones y otros entornos de tipo residencial
- ADVERTENCIA: Mantenga libres de obstrucciones las aberturas de ventilación del alojamiento del aparato o de la estructura empotrada.
- ADVERTENCIA: No utilice dispositivos mecánicos ni medios artificiales para acelerar el proceso de

descongelación, excepto los recomendados por el fabricante.

- **ADVERTENCIA:** No dañe el circuito del refrigerante.
- **ADVERTENCIA:** No utilice dispositivos eléctricos dentro de los compartimientos para alimentos del aparato, salvo si son del tipo recomendado por el fabricante.
- No utilice pulverizadores ni vapor de agua para limpiar el aparato.
- Limpie el aparato con un paño suave humedecido. Utilice solo detergentes neutros. No utilice productos abrasivos, estropajos duros, disolventes ni objetos metálicos.
- No almacene sustancias explosivas tales como latas de aerosol con un propulsor inflamable en este aparato.
- Si el cable eléctrico sufre algún daño, el fabricante, su servicio técnico autorizado o un profesional cualificado tendrán que cambiarlo para evitar riesgos.

2. INSTRUCCIONES DE SEGURIDAD

2.1 Instalación



ADVERTENCIA!

Sólo un técnico cualificado puede instalar el aparato.

- Retire todo el embalaje.
- No instale ni utilice un aparato dañado.
- No utilice el aparato antes de instalarlo en la estructura empotrada por motivos de seguridad.
- Siga las instrucciones de instalación suministradas con el aparato.
- Tenga cuidado al mover el aparato, porque es pesado. Utilice siempre guantes de protección y calzado cerrado.
- Asegúrese de que el aire pueda circular alrededor del aparato.
- En la primera instalación otras invertir el sentido de apertura de la puerta, espere al menos 4 horas antes de conectar el aparato a la alimentación

eléctrica. Esto es para permitir que el aceite regrese al compresor.

- Desenchufe siempre el aparato antes de llevar a cabo cualquier operación, por ejemplo cambiar el sentido de apertura de la puerta.
- No instale el aparato cerca de radiadores, cocinas, hornos o placas de cocción.
- No exponga el aparato a la lluvia.
- No instale el aparato donde reciba luz solar directa.
- No instale este aparato en áreas excesivamente húmedas o frías.
- Al mover el aparato, levántelo por el borde frontal para no arañar el suelo.

2.2 Conexión eléctrica



ADVERTENCIA!

Riesgo de incendios y descargas eléctricas.

**ADVERTENCIA!**

Al colocar el producto, asegúrese de que el cable de alimentación no queda atrapado o doblado.

**ADVERTENCIA!**

No utilice adaptadores de enchufes múltiples ni cables prolongadores.

- El aparato debe conectarse a tierra.
- Asegúrese de que los parámetros de la placa de características son compatibles con los valores eléctricos del suministro eléctrico.
- Utilice siempre una toma con aislamiento de conexión a tierra correctamente instalada.
- Asegúrese de no provocar daños en los componentes eléctricos (como enchufe, cable de alimentación, compresor). Póngase en contacto con un electricista o con el servicio técnico autorizado para cambiar los componentes eléctricos.
- El cable de alimentación debe estar por debajo del nivel del enchufe de alimentación.
- Conecte el enchufe a la toma de corriente únicamente cuando haya terminado la instalación. Asegúrese de tener acceso al enchufe del suministro de red una vez finalizada la instalación.
- No desconecte el aparato tirando del cable de conexión a la red. Tire siempre del enchufe.

2.3 Uso del aparato

**ADVERTENCIA!**

Existe riesgo de lesiones, quemaduras, descargas eléctricas o incendios.



El aparato contiene un gas inflamable, isobutano (R600a), un gas natural con alto grado de compatibilidad medioambiental. Tenga cuidado para no dañar el circuito de refrigerante que contiene isobutano.

- No cambie las especificaciones de este aparato.

- No utilice otros aparatos eléctricos (como máquinas de hacer helados) dentro de aparatos de refrigeración, salvo que el fabricante haya autorizado su utilización.
- Si se daña el circuito del refrigerante, evite las llamas y fuentes de ignición en la habitación. Ventile la habitación.
- No toque con elementos calientes las piezas de plástico del aparato.
- No coloque bebidas con gas en el congelador. Se creará presión en el contenedor de la bebida.
- No almacene gas ni líquido inflamable en el aparato.
- No coloque productos inflamables ni objetos mojados con productos inflamables dentro, cerca o encima del aparato.
- No toque el compresor ni el condensador. Están calientes.
- No retire ni toque elementos del compartimento congelador con las manos húmedas o mojadas.
- No vuelva a congelar alimentos que se hayan descongelado.
- Siga las instrucciones del envase de los alimentos congelados.
- Envuelva los alimentos en cualquier material adecuado antes de ponerlos en el congelador.

2.4 Luz interna

**ADVERTENCIA!**

Riesgo de descarga eléctrica.

- El tipo de luz utilizada para este aparato es específica para aparatos domésticos. No debe utilizarse para la iluminación doméstica.

2.5 Mantenimiento y limpieza

**ADVERTENCIA!**

Podría sufrir lesiones o dañar el aparato.

- Antes de proceder con el mantenimiento, apague el aparato y desconecte el enchufe de la red.
- Este equipo contiene hidrocarburos en la unidad de refrigeración. Solo una persona cualificada debe realizar

el mantenimiento y la recarga de la unidad.

- Examine periódicamente el desagüe del aparato y límpielo si fuera necesario. Si el desagüe se bloquea, el agua descongelada se acumulará en la base del aparato.

2.6 Asistencia

- Para reparar el aparato, póngase en contacto con el centro de servicio autorizado.
- Utilice solamente piezas de recambio originales.

2.7 Desecho



ADVERTENCIA!

Existe riesgo de lesiones o asfixia.

- Desconecte el aparato de la red.
- Corte el cable de conexión a la red y deséchelo.
- Retire la puerta para evitar que los niños y las mascotas queden encerrados en el aparato.
- El circuito del refrigerante y los materiales aislantes de este aparato no dañan la capa de ozono.
- La espuma aislante contiene gas inflamable. Póngase en contacto con las autoridades locales para saber cómo desechar correctamente el aparato.
- No dañe la parte de la unidad de refrigeración que está cerca del intercambiador de calor.

3. INSTALACIÓN



ADVERTENCIA!

Consulte los capítulos sobre seguridad.

3.1 Ubicación



Consulte las instrucciones de montaje para la instalación.

Para garantizar el mejor rendimiento, instale el aparato alejado de fuentes de calor, como radiadores, calderas, luz solar directa, etc. Asegúrese también de que el aire puede circular sin obstáculos por la parte trasera del aparato.

3.2 Colocación

Instale el aparato en un lugar interior seco y bien ventilado en el que la temperatura ambiente se corresponda con la clase climática indicada en la placa de características del aparato.

Clase climática	Temperatura ambiente
SN	+10°C a +32°C

Clase climática	Temperatura ambiente
N	+16°C a +32°C
ST	+16°C a +38°C
T	+16°C a +43°C



Se puede producir algún problema de funcionamiento en algunos modelos cuando se usan fuera de ese rango. Solo se puede garantizar el correcto funcionamiento dentro del rango de temperatura especificado. Si tiene cualquier duda respecto al lugar de instalación del aparato, consulte al vendedor, a nuestro servicio de atención al cliente o al servicio técnico autorizado más cercano.

3.3 Conexión eléctrica

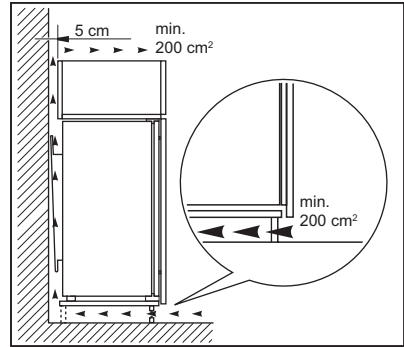
- Antes de conectar el aparato, compruebe que el voltaje y la

frecuencia indicados en la placa de datos técnicos se corresponden con el suministro de la vivienda.

- El aparato debe conectarse a tierra. El enchufe del cable de alimentación se suministra con un contacto para tal fin. Si la toma de red de la vivienda carece de conexión a tierra, conecte el aparato a una toma de tierra conforme con la normativa, después de consultar a un electricista profesional
- El fabricante declina toda responsabilidad si no se toman las precauciones antes indicadas.
- Este aparato cumple las directivas CEE.

3.4 Requisitos de ventilación

El aire debe poder circular libremente por la parte posterior del aparato.



PRECAUCIÓN!

Consulte las instrucciones de montaje para la instalación.

4. FUNCIONAMIENTO

4.1 Encendido

1. Introduzca el enchufe en la toma de pared.
2. Gire el regulador de temperatura hacia la derecha, a un ajuste intermedio.

4.2 Apagado

Para apagar el aparato, gire el regulador de temperatura hasta la posición "O".

4.3 Regulación de la temperatura

La temperatura se regula automáticamente.

1. Gire el regulador de temperatura hacia ajustes más bajos para obtener el frío mínimo.
2. Gire el regulador de temperatura hacia ajustes más altos para obtener el frío máximo.



Lo más idóneo es ajustar la temperatura en una posición intermedia.

Sin embargo, el ajuste exacto debe elegirse teniendo en cuenta que la temperatura interior del aparato depende de:

- temperatura ambiente,
- la frecuencia con que se abre la puerta,
- la cantidad de alimentos guardados,
- ubicación del aparato.

**PRECAUCIÓN!**

Si la temperatura ambiente es elevada o el aparato está totalmente lleno y se ha ajustado a las temperaturas más bajas, puede mantenerse en marcha de manera continua provocando la formación de escarcha en la pared posterior. En tal caso, el mando debe colocarse a temperatura más elevada para permitir la descongelación automática y reducir así el consumo energético.

5. USO DIARIO

**ADVERTENCIA!**

Consulte los capítulos sobre seguridad.

5.1 Congelación de alimentos frescos

El compartimento del congelador es adecuado para congelar alimentos frescos y conservar a largo plazo los alimentos congelados y ultracongelados.

Para congelar alimentos frescos no es necesario cambiar el ajuste intermedio.

Sin embargo, para lograr una congelación más rápida, gire el regulador de temperatura a un ajuste más alto para obtener el frío máximo.

**PRECAUCIÓN!**

En esa situación, la temperatura del compartimento frigorífico puede descender por debajo de 0°C. En ese caso, sitúe el regulador de temperatura en un ajuste menos frío.

5.2 Conservación de alimentos congelados

Al poner en marcha el aparato por primera vez o después de un periodo sin

uso, déjelo en marcha al menos durante 2 horas con un ajuste alto antes de colocar los productos en el compartimento.



En caso de producirse una descongelación accidental, por ejemplo, por un corte del suministro eléctrico, y si la interrupción ha sido más prolongada que el valor indicado en el campo "tiempo de elevación" de la tabla de características técnicas, será necesario consumir cuanto antes los alimentos descongelados o cocinarlos de inmediato y congelarlos de nuevo (después de que se hayan enfriado).

5.3 Descongelación

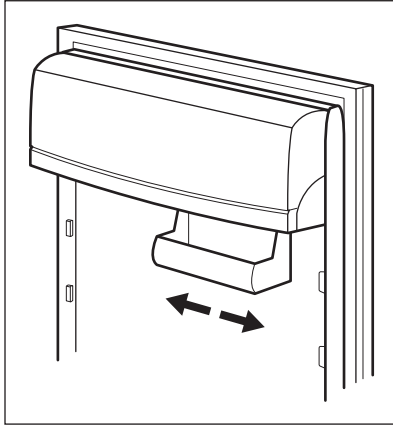
Los alimentos ultracongelados o congelados, antes de utilizarlos, se pueden descongelar en el compartimento frigorífico o a temperatura ambiente, dependiendo del tiempo de que se disponga.

Es posible incluso cocinar piezas pequeñas congeladas, tomadas directamente del congelador: en tal caso, el tiempo de cocción será más prolongado.

5.4 Colocación de los estantes de la puerta

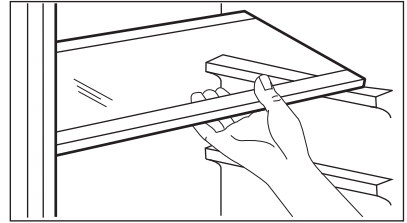
Para poder guardar alimentos de distintos tamaños, los estantes de la puerta se pueden colocar a diferentes alturas.

1. Tire gradualmente del estante hacia arriba hasta que se suelte.
2. Vuelva a colocarlo según sea necesario.



5.5 Estantes móviles

Las paredes del frigorífico cuentan con una serie de guías para colocar los estantes del modo que se prefiera.



- i** No coloque el estante de vidrio por encima del cajón de verduras para no impedir la correcta circulación del aire.

6. CONSEJOS

6.1 Sonidos de funcionamiento normal

Los ruidos siguientes son normales durante el funcionamiento:

- Un gorgoteo y burbujeo débil desde el serpentín cuando se bombea el refrigerante.
- Un zumbido o sonido intermitente desde el compresor cuando se bombea el refrigerante.
- Un chasquido repentino desde el interior del aparato debido a la dilatación térmica (un fenómeno físico natural no peligroso).
- Un chasquido débil desde el regulador de temperatura cuando se activa o desactiva el compresor.

6.2 Consejos para ahorrar energía

- No abra la puerta con frecuencia ni la deje abierta más tiempo del estrictamente necesario.

6.3 Consejos para la refrigeración de alimentos frescos

- No guarde en el frigorífico alimentos calientes ni líquidos en evaporación.
- Cubra o envuelva los alimentos, en especial si tienen sabores fuertes.
- Coloque los alimentos de modo que el aire pueda circular libremente entre ellos.

6.4 Consejos para la refrigeración

Consejos útiles:

- Carne (de todo tipo): guárdela en un envoltorio adecuado y colóquela en el estante de vidrio, sobre el cajón de las verduras. Almacene la carne durante un máximo de 1-2 días.
- Alimentos cocinados, platos fríos: cubra y coloque en cualquier instante.
- Frutas y verduras: limpie a fondo y coloque en un cajón especial. No guarde en el frigorífico productos como plátanos, patatas, cebollas y ajos, a menos que estén empaquetados.
- Mantequilla y queso: coloque en un recipiente hermético especial o envuelva o bolsas de polietileno para eliminar todo el aire posible.
- Botellas: cierre con un tapón y colóquelas en el estante para botellas de la puerta de la puerta o en el botellero (si dispone de él).

6.5 Consejos sobre la congelación

- Congele solo alimentos de máxima calidad, frescos y perfectamente limpios.
- Para congelar y descongelar con más eficacia, divida la comida en porciones pequeñas.
- Envuelva los alimentos en aluminio o polietileno. Asegúrese de que los envases sean herméticos.
- Para evitar aumentos en la temperatura de comida ya congelada,

no coloque comida no congelada justo al lado.

- Los alimentos magros se congelan mejor que los grasos. La sal reduce el tiempo de almacenamiento de los alimentos.
- No coma cubitos de hielo, sorbetes o helados inmediatamente después de sacarlos del congelador. Existe riesgo de quemaduras.
- Se recomienda etiquetar cada paquete con la fecha de congelación para controlar el tiempo de almacenamiento.

6.6 Consejos para el almacenamiento de alimentos congelados

- Comprobar que el comerciante ha mantenido los productos congelados correctamente almacenados.
- Procurar que los alimentos congelados pasen de la tienda al congelador en el menor tiempo posible.
- los alimentos descongelados se deterioran con rapidez y no pueden congelarse de nuevo.
- No supere el tiempo de almacenamiento indicado por el fabricante de los alimentos.

7. MANTENIMIENTO Y LIMPIEZA



ADVERTENCIA!

Consulte los capítulos sobre seguridad.

7.1 Advertencias generales



PRECAUCIÓN!

Antes de realizar tareas de mantenimiento, desenchufe el aparato



Este aparato contiene hidrocarburos en la unidad de refrigeración por lo que cualquier tarea de mantenimiento o recarga debe ser realizada por personal técnico homologado.



Los accesorios y las piezas del aparato no deben lavarse en el lavavajillas.

7.2 Limpieza del interior

Antes de utilizar el aparato por primera vez, lave su interior y todos los accesorios internos con agua templada y jabón neutro para eliminar el típico olor de los productos nuevos. A continuación, seque todo bien.



PRECAUCIÓN!

No utilice detergentes, polvos abrasivos ni limpiadores a base de cloro o aceite, ya que podrían dañar el acabado.

7.3 Limpieza periódica



PRECAUCIÓN!

No mueva, dañe ni tire de los conductos o cables del interior del aparato.



PRECAUCIÓN!

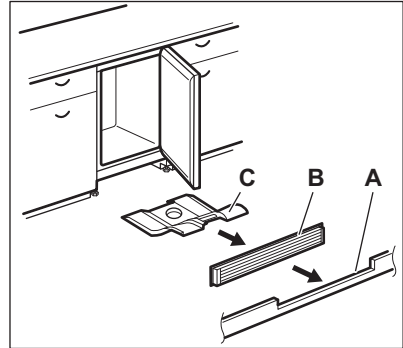
No dañe el sistema de refrigeración.

El equipo debe limpiarse de forma regular:

1. Limpie el interior y los accesorios con agua templada y un jabón neutro.
2. Revise y limpie periódicamente las juntas de la puerta para mantenerlas limpias y sin restos.
3. Aclare y seque a fondo.
4. Si se puede acceder, limpie el condensador y el compresor de la parte posterior del aparato con un cepillo.
Así mejorará el rendimiento del aparato y reducirá el consumo eléctrico.

7.4 Limpieza de los canales de aire

1. Retire el zócalo (A) y, a continuación, la rejilla de ventilación (B).

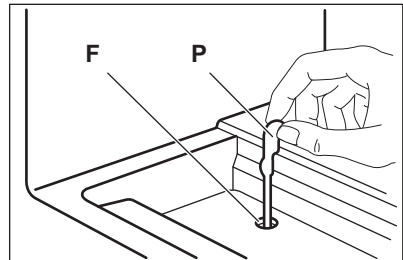


2. Limpie la rejilla de ventilación.
3. Tire con cuidado del deflector de aire (C), comprobando que no queda agua de la descongelación.
4. Limpie la parte inferior del aparato con una aspiradora.

7.5 Descongelación del frigorífico

La escarcha se elimina automáticamente del evaporador del frigorífico cada vez que se detiene el compresor, durante el funcionamiento normal. El agua de la descongelación se descarga por un canal hacia un recipiente especial situado en la parte posterior del aparato, sobre el motor compresor, desde donde se evapora.

Es importante limpiar periódicamente el orificio de salida del agua de descongelación (F) situado bajo el cajón de verduras a fin de evitar que se desborde y caiga sobre los alimentos del mismo. Utilice el limpiador especial suministrado (P), que hallará ya colocado en el orificio de desagüe.



7.6 Descongelación del congelador



PRECAUCIÓN!

No utilice herramientas metálicas afiladas para raspar la escarcha del evaporador, ya que podría dañarlo. No utilice dispositivos mecánicos ni medios artificiales para acelerar el proceso de descongelación, excepto los recomendados por el fabricante. El aumento de la temperatura de los paquetes de alimentos congelados durante la descongelación puede acortar su tiempo de almacenamiento.



Unas 12 horas antes de realizar la descongelación, ajuste una temperatura más baja con el fin de acumular frío suficiente para la interrupción del funcionamiento.

Siempre se forma un poco de escarcha en los estantes del congelador y en torno al compartimento superior.

Descongele el congelador cuando la capa de escarcha alcance un grosor de unos 3-5 mm.

1. Apague el aparato o desconecte el enchufe de la toma de corriente.
2. Retire los alimentos congelados, envuélvalos en varias hojas de papel de periódico y colóquelos en un sitio fresco.



ADVERTENCIA!

No toque los alimentos congelados con las manos mojadas. Podrían congelarse al contacto con los alimentos.

3. Deje la puerta abierta. Para acelerar el proceso de descongelación, coloque un recipiente con agua tibia en el compartimento congelador. Además, retire los trozos de hielo que se desprendan antes de que finalice la descongelación.
4. Cuando la descongelación haya terminado, seque a fondo el interior del aparato.
5. Encienda el aparato. Después de tres horas, vuelva a introducir en el compartimento congelador los alimentos retirados anteriormente.

7.7 Periodos de inactividad

Si el aparato no se utiliza durante un tiempo prolongado, tome las siguientes precauciones:

1. Desconecte el aparato de la red eléctrica.
2. Extraiga todos los alimentos.
3. Descongele el aparato (si es necesario).
4. Limpie el aparato y todos los accesorios.
5. Deje la puerta o puertas abiertas para que no se produzcan olores desagradables.



PRECAUCIÓN!

Si desea mantener el aparato encendido, procure que alguien lo vigile de vez en cuando para que los alimentos de su interior no se estropeen si se interrumpe el suministro eléctrico.

8. SOLUCIÓN DE PROBLEMAS



ADVERTENCIA!

Consulte los capítulos sobre seguridad.

8.1 Qué hacer si...

Problema	Posible causa	Solución
El aparato no funciona.	El aparato está apagado.	Encienda el electrodoméstico.
	El aparato no está correctamente enchufado a la toma de corriente.	Enchufe el aparato correctamente a la toma de corriente.
	No hay tensión en la toma de corriente.	Enchufe un aparato eléctrico diferente a la toma de corriente. Llame a un electricista cualificado.
El aparato hace ruido.	El aparato no está bien apoyado en el suelo.	Compruebe que los soportes del aparato descansan sobre una superficie estable.
La bombilla no funciona.	La bombilla está en espera.	Cierre y abra la puerta.
	La bombilla es defectuosa.	Consulte la sección "Cambio de la bombilla".
El compresor funciona continuamente.	La temperatura está ajustada incorrectamente.	Consulte el capítulo de funcionamiento.
	Se han introducido numerosos alimentos para congelar al mismo tiempo.	Espere unas horas y vuelva a comprobar la temperatura.
	La temperatura ambiente es demasiado alta.	Consulte la tabla de clase climática en la placa de características.
	Los alimentos introducidos en el aparato estaban demasiado calientes.	Deje que los alimentos se enfríen a temperatura ambiente antes de almacenarlos.
	La puerta no está bien cerrada.	Consulte la sección "Cierre de la puerta".
Hay demasiada escarcha o hielo.	La puerta no se ha cerrado correctamente o la junta está deformada/sucia.	Consulte la sección "Cierre de la puerta".
	El tapón de drenaje del agua no está bien colocado.	Coloque el tapón de drenaje en la forma correcta.

Problema	Posible causa	Solución
	Los alimentos no están bien envueltos.	Envuelva mejor los productos.
	La temperatura está ajustada incorrectamente.	Consulte el capítulo de funcionamiento.
El agua fluye por la placa posterior del frigorífico.	Durante el proceso de descongelación automática, la escarcha se derrite en la placa posterior.	Esto es correcto.
El agua fluye al interior del frigorífico.	La salida de agua está obstruida.	Limpié la salida de agua.
	Los productos impiden que el agua fluya al colector de agua.	Asegúrese de que los alimentos no entran en contacto con la placa posterior.
Hay agua en el suelo.	La salida de agua de la descongelación no está conectada a la bandeja de evaporación situada sobre el compresor.	Fije la salida de agua de descongelación a la bandeja de evaporación.
La temperatura del aparato es demasiado baja/alta.	El regulador de temperatura no se ha ajustado correctamente.	Seleccione una temperatura más alta o baja.
	La puerta no está bien cerrada.	Consulte la sección "Cierre de la puerta".
	La temperatura de los productos es demasiado alta.	Deje que la temperatura de los productos descienda a la temperatura ambiente antes de guardarlos.
	Se han guardado muchos alimentos al mismo tiempo.	Guarde menos productos al mismo tiempo.
	El grosor de la escarcha es de más de 4-5 mm.	Descongele el aparato.
	La puerta se ha abierto con frecuencia.	Si es necesario, cierre la puerta.
	No hay circulación de aire frío en el aparato.	Compruebe que el aire frío circula libremente en el aparato.
Hay demasiada agua de condensación en la pared posterior del frigorífico.	La puerta se abre con demasiada frecuencia.	Abra la puerta solo cuando sea necesario.

Problema	Posible causa	Solución
	La puerta no se cierra completamente.	Asegúrese de que la puerta está cerrada completamente.
	Los alimentos guardados no están envueltos correctamente.	Envuelva los alimentos correctamente antes de guardarlos en el aparato.
La puerta no se abre fácilmente.	Ha intentado volver a abrir la puerta inmediatamente después de cerrarla.	Espera unos segundos entre el cierre y la reapertura de la puerta.

i Si el consejo anterior no ofrece resultados, llame al servicio técnico autorizado más cercano.

8.2 Cambio de la bombilla

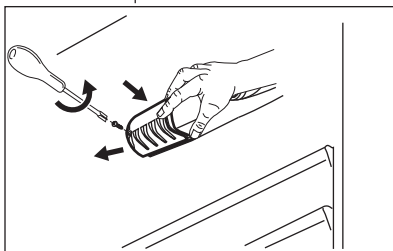
i El aparato está equipado con una luz LED interior de larga duración.

i Recomendamos encarecidamente utilizar solo piezas de repuesto originales.

i Utilice bombillas LED (rosca E14) solamente. La potencia máxima se indica en la unidad de la bombilla.

! **PRECAUCIÓN!**
Desenchufe el aparato de la toma de corriente.

1. Con un destornillador, retire el tornillo de la tapa de la bombilla.
2. Retire la tapa de la bombilla en el sentido que indican las flechas.



3. Cambie la bombilla por otra de las mismas características y diseñada específicamente para electrodomésticos.
4. Vuelva a colocar la tapa de la bombilla.
5. Apriete el tornillo de la tapa de la bombilla.
6. Enchufe el aparato a la toma de corriente.
7. Abra la puerta.
Compruebe que la bombilla se enciende.

8.3 Cierre de la puerta

1. Limpie las juntas de la puerta.
2. Si es necesario, ajuste la puerta. Consulte las instrucciones de montaje.
3. Si es necesario, cambie las juntas defectuosas. Póngase en contacto con el servicio técnico autorizado.

9. DATOS TÉCNICOS

9.1 Ficha de información del producto

Marca registrada	AEG
Modelo	SFB58221AF 933025054
Categoría	7. Frigorífico-Congelador
Clase de eficiencia energética	A++
Consumo de energía en kWh/año, según los resultados obtenidos en la prueba estándar de 24 horas. El consumo de energía real depende de las condiciones de uso del aparato y de su localización	139
Volumen útil en litros, refrigerador	93
Volumen útil en litros, estrellas	16
Volumen útil en litros, zona de bodega	-
Volumen útil en litros, vino	-
Volumen útil en litros, total	109
Volumen útil en litros, congelador	-
Volumen útil en litros, enfriador	-
Volumen útil en litros, otros compartimentos	-
Clasificación por estrellas del compartimento del congelador con el volumen útil más alto (l)	****
Temperatura de diseño de otros compartimentos > 14 °C (°C), si acaso	-
Libre de escarcha (S/N), refrigerador	No
Libre de escarcha (S/N), congelador	No
Autonomía en h	11
Capacidad de congelación en kg/24h	2,5
Clase climática	SN-N-ST-T
Temperatura mínima ambiente a la que este aparato está destinado a ser utilizado, en °C	10
Temperatura máxima ambiente a la que este aparato está destinado a ser utilizado, en °C	43
Emisiones de ruido acústico dB(A) re1 pW	37
Aparato encastrado S/N	Sí
Aparato destinado a utilizarse exclusivamente para la conservación de vinos S/N	No


9.2 Datos técnicos adicionales


Medidas del aparato	
Alto	815 mm
Ancho	596 mm
Fondo	550 mm

Voltaje	230 - 240 V
Frecuencia	50 Hz

La información técnica se encuentra en la placa de datos técnicos situada en el lado exterior o interior del aparato, y en la etiqueta de consumo energético.

10. ASPECTOS MEDIOAMBIENTALES

Recicle los materiales con el símbolo . Coloque el material de embalaje en los contenedores adecuados para su reciclaje. Ayude a proteger el medio ambiente y la salud pública, así como a reciclar residuos de aparatos eléctricos y

electrónicos. No deseche los aparatos marcados con el símbolo  junto con los residuos domésticos. Lleve el producto a su centro de reciclaje local o póngase en contacto con su oficina municipal.

www.aeg.com/shop



211625089-A-102019



AEG