

► SKB58221AF

EN	User Manual	2
	Refrigerator	
FR	Notice d'utilisation	13
	Réfrigérateur	
ES	Manual de instrucciones	25
	Frigorífico	

USER MANUAL



AEG

CONTENTS

1. SAFETY INFORMATION.....	3
2. SAFETY INSTRUCTIONS.....	4
3. OPERATION.....	5
4. DAILY USE.....	6
5. HINTS AND TIPS.....	7
6. CARE AND CLEANING.....	7
7. TROUBLESHOOTING.....	8
8. INSTALLATION.....	11
9. TECHNICAL DATA.....	12

FOR PERFECT RESULTS

Thank you for choosing this AEG product. We have created it to give you impeccable performance for many years, with innovative technologies that help make life simpler features you might not find on ordinary appliances. Please spend a few minutes reading to get the very best from it.

Visit our website for:



Get usage advice, brochures, trouble shooter, service information:

www.aeg.com/webselfservice



Register your product for better service:

www.registeraeg.com



Buy Accessories, Consumables and Original spare parts for your appliance:


www.aeg.com/shop

CUSTOMER CARE AND SERVICE

Always use original spare parts.

When contacting our Authorised Service Centre, ensure that you have the following data available: Model, PNC, Serial Number.

The information can be found on the rating plate.

 Warning / Caution-Safety information

 General information and tips

 Environmental information

Subject to change without notice.

1. SAFETY INFORMATION

Before the installation and use of the appliance, carefully read the supplied instructions. The manufacturer is not responsible for any injuries or damages that are the result of incorrect installation or usage. Always keep the instructions in a safe and accessible location for future reference.

1.1 Children and vulnerable people safety

- This appliance can be used by children aged from 8 years and above and persons with reduced physical, sensory or mental capabilities or lack of experience and knowledge if they have been given supervision or instruction concerning the use of the appliance in a safe way and understand the hazards involved.
- Do not let children play with the appliance.
- Children shall not carry out cleaning and user maintenance of the appliance without supervision.
- Keep all packaging away from children and dispose of it appropriately.

1.2 General Safety

- This appliance is intended to be used in household and similar applications such as:
 - Farm houses; staff kitchen areas in shops, offices and other working environments
 - By clients in hotels, motels, bed and breakfast and other residential type environments
- Keep ventilation openings, in the appliance enclosure or in the built-in structure, clear of obstruction.
- Do not use mechanical devices or other means to accelerate the defrosting process, other than those recommended by the manufacturer.
- Do not damage the refrigerant circuit.
- Do not use electrical appliances inside the food storage compartments of the appliance, unless they are of the type recommended by the manufacturer.

- Do not use water spray and steam to clean the appliance.
- Clean the appliance with a moist soft cloth. Only use neutral detergents. Do not use abrasive products, abrasive cleaning pads, solvents or metal objects.
- Do not store explosive substances such as aerosol cans with a flammable propellant in this appliance.
- If the supply cord is damaged, it must be replaced by the manufacturer, its Authorised Service Centre or similarly qualified persons in order to avoid a hazard.

2. SAFETY INSTRUCTIONS

2.1 Installation



WARNING!

Only a qualified person must install this appliance.

- Remove all the packaging and the transit bolts.
- Do not install or use a damaged appliance.
- Follow the installation instruction supplied with the appliance.
- Always take care when moving the appliance as it is heavy. Always use safety gloves and enclosed footwear.
- Make sure the air can circulate around the appliance.
- Wait at least 4 hours before connecting the appliance to the power supply. This is to allow the oil to flow back in the compressor.
- Do not install the appliance close to radiators or cookers, oven or hobs.
- The rear of the appliance must stand against the wall.
- Do not install the appliance where there is direct sunlight.
- Do not install this appliance in areas that are too humid or too colds, such as the construction appendices, garages or wine cellars.
- When you move the appliance, lift it by the front edge to avoid scratching the floor.

2.2 Electrical connection



WARNING!

Risk of fire and electrical shock.

- The appliance must be earthed.
- Make sure that the electrical information on the rating plate agrees with the power supply. If not, contact an electrician.
- Always use a correctly installed shockproof socket.
- Do not use multi-plug adapters and extension cables.
- Make sure not to cause damage to the electrical components (e.g. mains plug, mains cable, compressor). Contact the Authorised Service Centre or an electrician to change the electrical components.
- The mains cable must stay below the level of the mains plug.
- Connect the mains plug to the mains socket only at the end of the installation. Make sure that there is access to the mains plug after the installation.
- Do not pull the mains cable to disconnect the appliance. Always pull the mains plug.

2.3 Use



WARNING!

Risk of injury, burns, electrical shock or fire.

- Do not change the specification of this appliance.
 - Do not put electrical appliances (e.g. ice cream makers) in the appliance unless they are stated applicable by the manufacturer.
 - Be careful not to cause damage to the refrigerant circuit. It contains isobutane (R600a), a natural gas with a high level of environmental compatibility. This gas is flammable.
 - If damage occurs to the refrigerant circuit, make sure that there are no flames and sources of ignition in the room. Ventilate the room.
 - Do not let hot items to touch the plastic parts of the appliance.
 - Do not store flammable gas and liquid in the appliance.
 - Do not put flammable products or items that are wet with flammable products in, near or on the appliance.
 - Do not touch the compressor or the condenser. They are hot.
- Before maintenance, deactivate the appliance and disconnect the mains plug from the mains socket.
 - This appliance contains hydrocarbons in the cooling unit. Only a qualified person must do the maintenance and the recharging of the unit.
 - Regularly examine the drain of the appliance and if necessary, clean it. If the drain is blocked, defrosted water collects in the bottom of the appliance.

2.6 Disposal



WARNING!

Risk of injury or suffocation.

- Disconnect the appliance from the mains supply.
- Cut off the mains cable and discard it.
- Remove the door to prevent children and pets to be closed inside of the appliance.
- The refrigerant circuit and the insulation materials of this appliance are ozone-friendly.
- The insulation foam contains flammable gas. Contact your municipal authority for information on how to discard the appliance correctly.
- Do not cause damage to the part of the cooling unit that is near the heat exchanger.

2.4 Internal light

- The type of lamp used for this appliance is not suitable for household room illumination

2.5 Care and cleaning



WARNING!

Risk of injury or damage to the appliance.

3. OPERATION

3.1 Switching on

1. Insert the plug into the wall socket.
2. Turn the Temperature regulator clockwise to a medium setting.

3.2 Switching off

To turn off the appliance, turn the temperature regulator to the "O" position.

3.3 Temperature regulation

The temperature is regulated automatically.



A medium setting is generally the most suitable. However, the exact setting should be chosen keeping in mind that the temperature inside the appliance depends on:

- room temperature,
- how often the door is opened,
- the quantity of food stored,
- the location of the appliance.

1. Turn the Temperature regulator toward lower settings to obtain the minimum coldness.
2. Turn the Temperature regulator toward higher settings to obtain the maximum coldness.

**CAUTION!**

If the ambient temperature is high or the appliance is fully loaded, and the appliance is set to the lowest temperatures, it may run continuously causing frost to form on the rear wall. In this case the dial must be set to a higher temperature to allow automatic defrosting and therefore reduced energy consumption.

4. DAILY USE

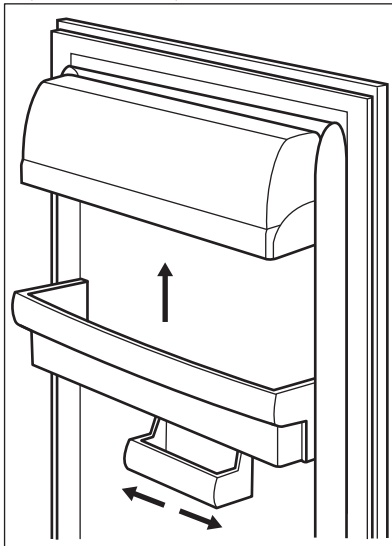
**WARNING!**

Refer to Safety chapters.

4.1 Positioning the door shelves

To permit storage of food packages of various sizes, the door shelves can be placed at different heights.

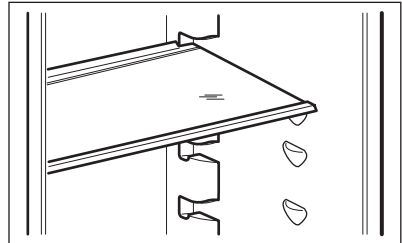
1. Gradually pull the shelf in the direction of the arrows until it comes free.
2. Reposition as required.



This model is equipped with a variable storage box which can be moved sideways.

4.2 Movable shelves

The walls of the refrigerator are equipped with a series of runners so that the shelves can be positioned as desired.



Do not move the glass shelf above the vegetable drawer to ensure correct air circulation.

5. HINTS AND TIPS

5.1 Normal operating sounds

The following sounds are normal during operation:

- A faint gurgling and bubbling sound from coils sound when refrigerant is pumped.
- A whirring and pulsating sound from the compressor when refrigerant is pumped.
- A sudden cracking noise from inside appliance caused by thermic dilatation (a natural and not dangerous physical phenomenon).
- A faint click noise from the temperature regulator when the compressor switches on or off.

5.2 Hints for energy saving

- Do not open the door frequently or leave it open longer than absolutely necessary.
- If the ambient temperature is high and the Temperature Regulator is set to low temperature and the appliance is fully loaded, the compressor may run continuously, causing frost or ice on the evaporator. If this happens, set the Temperature Regulator toward warmer settings to allow automatic defrosting and so a saving in electricity consumption.

5.3 Hints for fresh food refrigeration

To obtain the best performance:

- do not store warm food or evaporating liquids in the refrigerator
- do cover or wrap the food, particularly if it has a strong flavour
- position food so that air can circulate freely around it

5.4 Hints for refrigeration

Useful hints:

- Meat (all types): wrap in a suitable packaging and place it on the glass shelf above the vegetable drawer. Store meat for at most 1-2 days.
- Cooked foods, cold dishes: cover and place on any shelf.
- Fruit and vegetables: clean thoroughly and place in a special drawer. Bananas, potatoes, onions and garlic must not be kept in the refrigerator if not packed.
- Butter and cheese: place in a special airtight container or wrap in an aluminium foil or a polythene bag to exclude as much air as possible.
- Bottles: close with a cap and place on the door bottle shelf, or (if available) on the bottle rack.

6. CARE AND CLEANING



WARNING!
Refer to Safety chapters.

6.1 General warnings



CAUTION!
Unplug the appliance before carrying out any maintenance operation.



This appliance contains hydrocarbons in its cooling unit; maintenance and recharging must therefore only be carried out by authorized technicians.



The accessories and parts of the appliance are not suitable for washing in a dishwasher.

6.2 Cleaning the interior

Before using the appliance for the first time, the interior and all internal accessories should be washed with lukewarm water and some neutral soap to remove the typical smell of a brand-new product, then dried thoroughly.

**CAUTION!**

Do not use detergents, abrasive powders, chlorine or oil-based cleaners as they will damage the finish.

6.3 Periodic cleaning

**CAUTION!**

Do not pull, move or damage any pipes and/or cables inside the cabinet.

**CAUTION!**

Take care of not to damage the cooling system.

**CAUTION!**

When moving the cabinet, lift it by the front edge to avoid scratching the floor.

The equipment has to be cleaned regularly:

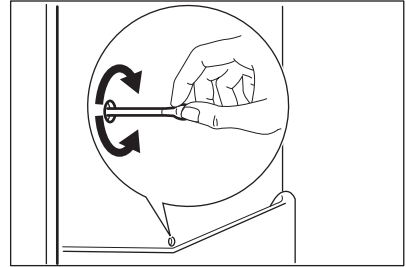
1. Clean the inside and accessories with lukewarm water and some neutral soap.
2. Regularly check the door seals and wipe clean to ensure they are clean and free from debris.
3. Rinse and dry thoroughly.
4. If accessible, clean the condenser and the compressor at the back of the appliance with a brush. This operation will improve the performance of the appliance and save electricity consumption.

6.4 Defrosting of the refrigerator

Frost is automatically eliminated from the evaporator of the refrigerator

compartment every time the motor compressor stops, during normal use. The defrost water drains out through a trough into a special container at the back of the appliance, over the motor compressor, where it evaporates.

It is important to periodically clean the defrost water drain hole in the middle of the refrigerator compartment channel to prevent the water overflowing and dripping onto the food inside.



6.5 Periods of non-operation

When the appliance is not in use for long periods, take the following precautions:

1. Disconnect the appliance from electricity supply.
2. Remove all food.
3. Clean the appliance and all accessories.
4. Leave the door/doors open to prevent unpleasant smells.

**WARNING!**

If you want to keep the appliance switched on, ask somebody to check it once in a while to prevent the food inside from spoiling in case of a power failure.

7. TROUBLESHOOTING


**WARNING!**

Refer to Safety chapters.

7.1 What to do if...


Problem	Possible cause	Solution
The appliance does not operate.	The appliance is switched off.	Switch on the appliance.
	The mains plug is not connected to the mains socket correctly.	Connect the mains plug to the mains socket correctly.
	There is no voltage in the mains socket.	Connect a different electrical appliance to the mains socket. Contact a qualified electrician.
The appliance is noisy.	The appliance is not supported properly.	Check if the appliance stands stable.
The lamp does not work.	The lamp is in stand-by.	Close and open the door.
	The lamp is defective.	Refer to "Replacing the lamp".
The compressor operates continually.	Temperature is set incorrectly.	Refer to "Operation" chapter.
	Many food products to be frozen were put in at the same time.	Wait a few hours and then check the temperature again.
	The room temperature is too high.	Refer to climate class chart on the rating plate.
	Food products placed in the appliance were too warm.	Allow food products to cool to room temperature before storing.
	The door is not closed correctly.	Refer to "Closing the door".
	Water flows on the rear plate of the refrigerator.	During the automatic defrosting process, frost melts on the rear plate.
Water flows into the refrigerator.	The water outlet is clogged.	Clean the water outlet.
	Food products prevent that water flows into the water collector.	Make sure that food products do not touch the rear plate.
Water flows on the floor.	The melting water outlet is not connected to the evaporative tray above the compressor.	Attach the melting water outlet to the evaporative tray.

Problem	Possible cause	Solution
The temperature in the appliance is too low/too high.	The temperature regulator is not set correctly.	Set a higher/lower temperature.
	The door is not closed correctly.	Refer to "Closing the door".
	The food products' temperature is too high.	Let the food products temperature decrease to room temperature before storage.
	Many food products are stored at the same time.	Store less food products at the same time.
	The door has been opened often.	Open the door only if necessary.
There is too much condensed water on the rear wall of the refrigerator.	There is no cold air circulation in the appliance.	Make sure that there is cold air circulation in the appliance.
	Door was opened too frequently.	Open the door only when necessary.
	Door was not closed completely.	Make sure the door is closed completely.
Door does not open easily.	Stored food was not wrapped.	Wrap food in suitable packaging before storing it in the appliance.
	You attempted to re-open the door immediately after closing.	Wait a few seconds between closing and re-opening of the door.

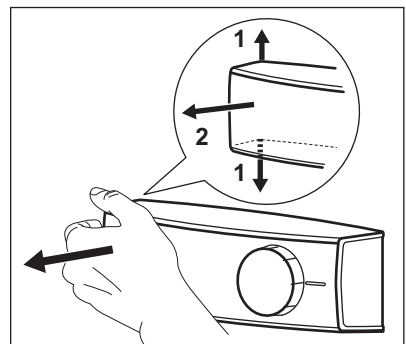
 If the advice does not lead to the desired result, call the nearest Authorized Service Centre.

7.2 Replacing the lamp

 The appliance is equipped with a longlife LED interior light.

 **CAUTION!** Disconnect the plug from the mains socket.

1. At the same time, with the fingers expand up and down the transparent cover and unhook it in the direction of the arrows.



2. Replace the lamp with one of the same power and shape, specifically designed for household appliances. The maximum power is shown on the light bulb cover.

3. Reassemble the lamp cover.
4. Connect the plug to the mains socket.
5. Open the door.
Make sure that the light comes on.

7.3 Closing the door

1. Clean the door gaskets.

8. INSTALLATION



WARNING!
Refer to Safety chapters.

8.1 Location



Refer to the assembly instructions for the installation.

To ensure best performance, install the appliance well away from sources of heat such as radiators, boilers, direct sunlight etc. Make sure that air can circulate freely around the back of the cabinet.

8.2 Positioning

Install the appliance in a dry, well ventilated indoors where the ambient temperature corresponds to the climate class indicated on the rating plate of the appliance.

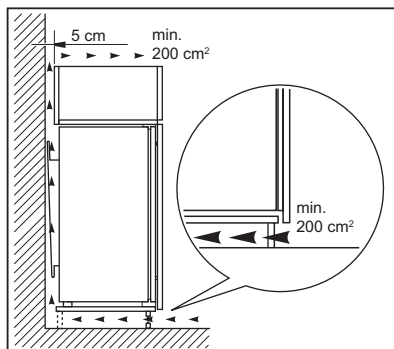
Climate class	Ambient temperature
SN	+10°C to + 32°C
N	+16°C to + 32°C
ST	+16°C to + 38°C
T	+16°C to + 43°C



Some functional problems might occur for some types of models when operating outside of that range. The correct operation can only be guaranteed within the specified temperature range. If you have any doubts regarding where to install the appliance, please turn to the vendor, to our customer service or to the nearest Authorised Service Centre.

8.3 Ventilation requirements

The airflow behind the appliance must be sufficient.



8.4 Electrical connection

- Before plugging in, ensure that the voltage and frequency shown on the rating plate correspond to your domestic power supply.
- The appliance must be earthed. The power supply cable plug is provided with a contact for this purpose. If the

domestic power supply socket is not earthed, connect the appliance to a separate earth in compliance with current regulations, consulting a qualified electrician.

- The manufacturer declines all responsibility if the above safety precautions are not observed.

- This appliance complies with the E.E.C. Directives.

9. TECHNICAL DATA


9.1 Technical data

Height	mm	815
Width	mm	596
Depth	mm	550
Voltage	Volts	230 - 240
Frequency	Hz	50

The technical information is situated in the rating plate, on the external or

internal side of the appliance and in the energy label.

10. ENVIRONMENTAL CONCERNS

Recycle the materials with the symbol . Put the packaging in applicable containers to recycle it. Help protect the environment and human health and to recycle waste of electrical and electronic appliances. Do not dispose appliances


marked with the symbol  with the household waste. Return the product to your local recycling facility or contact your municipal office.

TABLE DES MATIÈRES

1. INFORMATIONS DE SÉCURITÉ.....	14
2. CONSIGNES DE SÉCURITÉ.....	15
3. FONCTIONNEMENT.....	17
4. UTILISATION QUOTIDIENNE.....	17
5. CONSEILS.....	18
6. ENTRETIEN ET NETTOYAGE.....	19
7. EN CAS D'ANOMALIE DE FONCTIONNEMENT.....	20
8. INSTALLATION.....	23
9. CARACTÉRISTIQUES TECHNIQUES.....	24

POUR DES RÉSULTATS PARFAITS

Merci d'avoir choisi ce produit AEG. Nous l'avons conçu pour qu'il vous offre des performances irréprochables pour longtemps, en intégrant des technologies innovantes qui vous simplifient la vie grâce à des caractéristiques que vous ne trouverez pas forcément sur des appareils ordinaires. Veuillez prendre quelques instants pour lire cette notice afin d'utiliser au mieux votre appareil.

Visitez notre site Internet pour :



Obtenir des conseils d'utilisation, des brochures, de l'aide, des informations :
www.aeg.com/webselfservice



Enregistrez votre produit pour obtenir un meilleur service :
www.registreaeg.com



Acheter des accessoires, consommables et pièces de rechange d'origine pour votre appareil :
www.aeg.com/shop

SERVICE APRÈS-VENTE

Utilisez toujours des pièces d'origine.

Avant de contacter le service après-vente, assurez-vous de disposer des informations suivantes : Modèle, PNC, numéro de série.

Vous trouverez ces informations sur la plaque signalétique.

 Avertissement/Consignes de sécurité

 Informations générales et conseils

 Informations en matière de protection de l'environnement

Sous réserve de modifications.

1. ⚠ INFORMATIONS DE SÉCURITÉ

Avant d'installer et d'utiliser cet appareil, lisez soigneusement les instructions fournies. Le fabricant ne pourra être tenu pour responsable des blessures et dégâts résultant d'une mauvaise installation ou utilisation. Conservez toujours les instructions dans un lieu sûr et accessible pour vous y référer ultérieurement.

1.1 Sécurité des enfants et des personnes vulnérables

- Cet appareil peut être utilisé par des enfants de plus de 8 ans, ainsi que des personnes dont les capacités physiques, sensorielles et mentales sont réduites ou dont les connaissances et l'expérience sont insuffisantes, à condition d'être surveillés ou d'avoir reçu des instructions concernant l'utilisation sécurisée de l'appareil et de comprendre les risques encourus.
- Ne laissez pas les enfants jouer avec l'appareil.
- Les enfants ne doivent pas nettoyer ni entreprendre une opération de maintenance sur l'appareil sans surveillance.
- Ne laissez pas les emballages à la portée des enfants et jetez-les convenablement.

1.2 Consignes générales de sécurité

- Cet appareil est conçu uniquement pour un usage domestique et des utilisations telles que :
 - dans les bâtiments de ferme, dans des cuisines réservées aux employés dans des magasins, bureaux et autres lieux de travail ;
 - pour une utilisation privée, par les clients, dans des hôtels et autres lieux de séjour.
- Veillez à ce que les orifices de ventilation, situés dans l'enceinte de l'appareil ou dans la structure intégrée, ne soient pas obstrués.

- N'utilisez aucun dispositif mécanique ou autre appareil pour accélérer le processus de dégivrage que ceux recommandés par le fabricant.
- N'endommagez pas le circuit frigorifique.
- N'utilisez pas d'appareils électriques à l'intérieur des compartiments de conservation des aliments de l'appareil, sauf s'ils sont du type recommandé par le fabricant.
- Ne pulvérisez pas d'eau ni de vapeur pour nettoyer l'appareil.
- Nettoyez l'appareil avec un chiffon doux humide. Utilisez uniquement des produits de nettoyage neutres. N'utilisez pas de produits abrasifs, de tampons à récurer, de solvants ni d'objets métalliques.
- Ne conservez aucune substance explosive dans cet appareil, comme des aérosols contenant un produit inflammable.
- Si le câble d'alimentation est endommagé, il doit être remplacé par le fabricant, son service après-vente ou des personnes de qualification similaire afin d'éviter un danger.

2. CONSIGNES DE SÉCURITÉ

2.1 Installation



AVERTISSEMENT!

L'appareil doit être installé uniquement par un professionnel qualifié.

- Retirez l'intégralité de l'emballage et les boulons de transport.
 - N'installez pas et ne branchez pas un appareil endommagé.
 - Suivez scrupuleusement les instructions d'installation fournies avec l'appareil.
 - Soyez toujours vigilants lorsque vous déplacez l'appareil car il est lourd. Utilisez toujours des gants de sécurité et des chaussures fermées.
 - Assurez-vous que l'air circule autour de l'appareil.
 - Attendez au moins 4 heures avant de brancher l'appareil sur le secteur.
- Cela permet à l'huile de refouler dans le compresseur.
- N'installez pas l'appareil à proximité d'un radiateur, d'une cuisinière, d'un four ou d'une table de cuisson.
 - La surface arrière de l'appareil doit être positionnée contre un mur.
 - N'installez pas l'appareil dans un endroit exposé à la lumière directe du soleil.
 - N'installez pas l'appareil dans un endroit trop humide ou trop froid, comme une dépendance extérieure, un garage ou une cave.
 - Lorsque vous déplacez l'appareil, veillez à le soulever par l'avant pour éviter de rayer le sol.

2.2 Connexion électrique



AVERTISSEMENT!

Risque d'incendie ou d'électrocution.

- L'appareil doit être relié à la terre.
- Vérifiez que les données électriques figurant sur la plaque signalétique correspondent à celles de votre réseau. Si ce n'est pas le cas, contactez un électricien.
- Utilisez toujours une prise de courant de sécurité correctement installée.
- N'utilisez pas d'adaptateurs multiprises ni de rallonges.
- Veillez à ne pas endommager les composants électriques tels que la fiche secteur, le câble d'alimentation ou le compresseur. Contactez le service après-vente agréé ou un électricien pour changer les composants électriques.
- Le câble d'alimentation doit rester en dessous du niveau de la fiche secteur.
- Ne branchez la fiche d'alimentation à la prise de courant qu'à la fin de l'installation. Assurez-vous que la prise de courant est accessible une fois l'appareil installé.
- Ne tirez jamais sur le câble d'alimentation pour débrancher l'appareil. Tirez toujours sur la fiche.

2.3 Usage



AVERTISSEMENT!

Risque de blessures, de brûlures, d'électrocution ou d'incendie.

- Ne modifiez pas les caractéristiques de cet appareil.
- Ne placez aucun appareil électrique (sorbetière, etc.) dans l'appareil, en l'absence d'indications du fabricant.
- Veillez à ne pas endommager le circuit frigorifique. Il contient de l'isobutane (R600a), un gaz naturel ayant un niveau élevé de compatibilité environnementale. Ce gaz est inflammable.
- Si le circuit frigorifique est endommagé, assurez-vous de l'absence de flammes et de sources

d'ignition dans la pièce. Aérez la pièce.

- Évitez tout contact d'éléments chauds avec les parties en plastique de l'appareil.
- Ne stockez jamais de gaz ou de liquide inflammable dans l'appareil.
- Ne placez pas de produits inflammables ou d'éléments imbibés de produits inflammables à l'intérieur ou à proximité de l'appareil, ni sur celui-ci.
- Ne touchez pas le compresseur ni le condenseur. Ils sont chauds.

2.4 Éclairage interne

- Le type d'ampoule utilisé dans cet appareil n'est pas adapté à l'éclairage de votre habitation.

2.5 Entretien et nettoyage



AVERTISSEMENT!

Risque de blessure corporelle ou de dommages matériels.

- Avant toute opération d'entretien, éteignez l'appareil et débranchez la fiche de la prise secteur.
- Cet appareil contient des hydrocarbures dans son circuit de réfrigération. L'entretien et la recharge du circuit de réfrigération doivent être effectués par un professionnel qualifié.
- Examinez régulièrement l'écoulement de l'appareil et si nécessaire, nettoyez-le. Si l'orifice est bouché, l'eau provenant du dégivrage s'écoulera en bas de l'appareil.

2.6 Mise au rebut



AVERTISSEMENT!

Risque de blessure ou d'asphyxie.

- Débranchez l'appareil de l'alimentation électrique.
- Coupez le câble d'alimentation et mettez-le au rebut.
- Retirez la porte pour empêcher les enfants et les animaux de s'enfermer dans l'appareil.

- Le circuit frigorifique et les matériaux d'isolation de cet appareil préservent la couche d'ozone.
- La mousse isolante contient un gaz inflammable. Contactez votre service municipal pour obtenir des

informations sur la marche à suivre pour mettre l'appareil au rebut.

- N'endommagez pas la partie du circuit de réfrigération située à proximité du condenseur thermique.

3. FONCTIONNEMENT

3.1 Mise en marche

1. Insérez la fiche dans la prise murale.
2. Tournez le thermostat vers la droite sur une position médiane.

3.2 Mise hors tension

Pour éteindre l'appareil, tournez le thermostat sur la position « O ».

3.3 Réglage de la température

La température est réglée automatiquement.



Un réglage intermédiaire est généralement le plus indiqué.

Toutefois, on obtiendra le réglage exact en tenant compte du fait que la température à l'intérieur de l'appareil dépend de plusieurs facteurs :

- la température ambiante,
- la fréquence d'ouverture de la porte,
- la quantité d'aliments stockés,
- l'emplacement de l'appareil.



ATTENTION!

Si la température ambiante est élevée ou l'appareil très rempli et si le thermostat est réglé sur la température la plus basse, il est possible que le compresseur fonctionne en régime continu, d'où un risque de formation de givre sur la paroi arrière. Pour éviter cet inconvénient, modifiez la position du thermostat pour obtenir moins de froid, de façon à permettre un dégivrage automatique et, par conséquent, des économies d'énergie.

1. Tournez le thermostat sur la position minimale pour obtenir moins de froid.
2. Tournez le thermostat sur la position maximale pour obtenir plus de froid.

4. UTILISATION QUOTIDIENNE



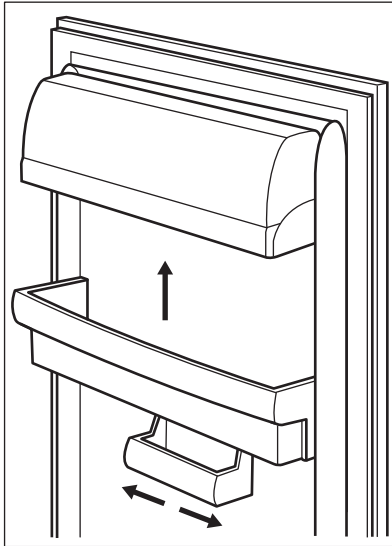
AVERTISSEMENT!

Reportez-vous aux chapitres concernant la sécurité.

1. Faites glisser le balconnet dans le sens des flèches jusqu'à ce qu'il se libère.
2. Repositionnez-le selon les besoins.

4.1 Mise en place des balconnets de la porte

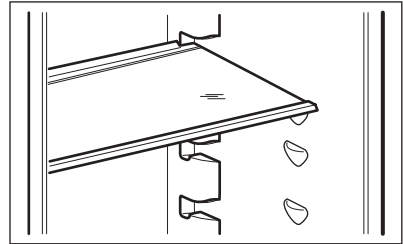
Selon la taille des emballages des aliments conservés, les balconnets de la porte peuvent être positionnés à différentes hauteurs.



Le modèle est équipé d'un bac de rangement réglable qui peut glisser latéralement.

4.2 Clayettes amovibles

Les parois du réfrigérateur sont équipées d'une série de glissières afin que les clayettes puissent être positionnées comme vous le souhaitez.



- i** Ne modifiez pas l'emplacement de la clayette en verre située au-dessus du bac à légumes, afin de garantir une circulation d'air optimale.

5. CONSEILS

5.1 Bruits normaux de fonctionnement

Les bruits suivants sont normaux lorsque l'appareil est en cours de fonctionnement :

- Un léger gargouillis lorsque le liquide réfrigérant est pompé.
- Un ronronnement et un bruit de pulsation provenant du compresseur lorsque le liquide réfrigérant est pompé.
- Un bruit de craquement soudain provenant de l'intérieur de l'appareil provoqué par une dilatation thermique (un phénomène naturel et inoffensif).
- Un léger cliquetis du thermostat lorsque le compresseur s'active ou se désactive.

5.2 Conseils d'économie d'énergie

- Évitez d'ouvrir trop souvent la porte du congélateur et ne la laissez ouverte que le temps nécessaire.

- Si la température ambiante est élevée, le thermostat réglé sur la position maximale et l'appareil plein, il est possible que le compresseur fonctionne en régime continu, d'où un risque de formation de givre ou de glace sur l'évaporateur. Dans ce cas, réglez le thermostat sur une température plus élevée pour faciliter le dégivrage automatique, ce qui permet ainsi d'économiser de l'énergie.

5.3 Conseils pour la réfrigération des aliments frais

Pour obtenir les meilleurs résultats :

- n'introduisez pas d'aliments encore chauds ou de liquides en évaporation dans le réfrigérateur
- couvrez ou enveloppez soigneusement les aliments, surtout s'ils sont aromatiques
- placez correctement les aliments pour que l'air puisse circuler librement autour

5.4 Conseils pour la réfrigération

Conseil utiles :

- Viande (tous types de viande) : emballez-la dans un emballage adapté et placez-la sur l'étagère en verre au-dessus du bac à légumes. Ne conservez la viande que 1 ou 2 jours au plus.
- Aliments cuits, plats froids : couvrez-les et placez-les sur une étagère.
- Fruits et légumes : nettoyez-les soigneusement et placez-les dans le bac spécial. Bananes, pommes de terre, oignons et ail ne doivent pas être mis dans le réfrigérateur, s'ils ne sont pas emballés.
- Beurre et fromage : placez-les dans le compartiment spécial, étanche à l'air, ou enveloppez-les dans une feuille d'aluminium ou un sachet en polyéthylène, pour les tenir autant que possible à l'abri de l'air.
- Bouteilles : elles doivent être munies d'un bouchon et être placées sur le porte-bouteilles ou (s'il est installé) dans le balconnet à bouteilles de la porte.

6. ENTRETIEN ET NETTOYAGE



AVERTISSEMENT!

Reportez-vous aux chapitres concernant la sécurité.



ATTENTION!

N'utilisez jamais de détergents, de produits abrasifs, de nettoyeurs à base de chlore ou d'huile car ils pourraient endommager le revêtement.

6.1 Avertissements généraux



ATTENTION!

Débranchez l'appareil avant toute opération d'entretien et de nettoyage.



Cet appareil contient des hydrocarbures dans son circuit de réfrigération ; l'entretien et la recharge ne doivent donc être effectués que par du personnel qualifié.



Les pièces et accessoires de l'appareil ne doivent pas être lavés au lave-vaisselle.

6.2 Nettoyage de l'intérieur

Avant d'utiliser l'appareil pour la première fois, nettoyez l'intérieur et tous les accessoires avec de l'eau tiède savonneuse (pour supprimer toute odeur de neuf), puis séchez-les soigneusement.

6.3 Nettoyage périodique



ATTENTION!

Ne tirez pas, ne déplacez pas, n'endommagez pas les tuyaux et/ou câbles qui se trouvent à l'intérieur de l'appareil.



ATTENTION!

Attention à ne pas endommager le système de réfrigération.



ATTENTION!

Lorsque vous déplacez l'appareil, veillez à le soulever par l'avant pour éviter de rayer le sol.

L'appareil doit être nettoyé régulièrement :

1. Nettoyez l'intérieur et les accessoires avec de l'eau tiède et un détergent doux.
2. Vérifiez régulièrement les joints de porte et essuyez-les pour vous

assurer qu'ils sont propres et ne contiennent pas de résidus.

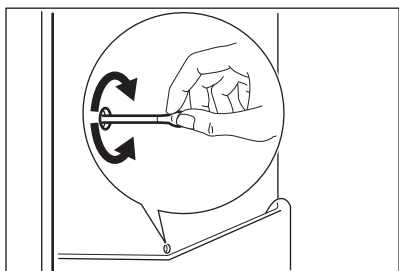
3. Rincez et séchez soigneusement.
4. S'ils sont accessibles, nettoyez le condenseur et le compresseur situés à l'arrière de l'appareil avec une brosse.

Cette opération améliore les performances de l'appareil et permet des économies d'électricité.

6.4 Dégivrage du réfrigérateur

En fonctionnement normal, le givre est automatiquement éliminé de l'évaporateur du compartiment réfrigérateur à chaque fois que le compresseur s'arrête. L'eau de dégivrage est collectée dans un récipient spécial situé à l'arrière de l'appareil, au-dessus du compresseur, d'où elle s'évapore.

Il est important de nettoyer régulièrement l'orifice d'écoulement de la goulotte d'évacuation de l'eau de dégivrage située au milieu du compartiment réfrigérateur pour empêcher l'eau de déborder et de couler à l'intérieur de l'appareil.



6.5 En cas de non-utilisation prolongée

Si l'appareil n'est pas utilisé pendant de longues périodes, prenez les précautions suivantes :

1. Débranchez l'appareil de l'alimentation électrique.
2. Retirez tous les aliments.
3. Nettoyez l'appareil et tous les accessoires.
4. Laissez la porte/les portes ouverte(s) pour éviter la formation d'odeurs désagréables.



AVERTISSEMENT!

Si, toutefois, vous n'avez pas la possibilité de débrancher et de vider l'appareil, faites vérifier régulièrement le bon de fonctionnement de celui-ci pour éviter que les aliments qu'il contient ne pourrissent en cas de coupure de courant.

7. EN CAS D'ANOMALIE DE FONCTIONNEMENT



AVERTISSEMENT!

Reportez-vous aux chapitres concernant la sécurité.

7.1 En cas d'anomalie de fonctionnement

Problème	Cause probable	Solution
L'appareil ne fonctionne pas du tout.	L'appareil est éteint.	Mettez l'appareil en marche.

Problème	Cause probable	Solution
	La fiche du câble d'alimentation n'est pas correctement insérée dans la prise de courant.	Branchez correctement la fiche du câble d'alimentation dans la prise de courant.
	La prise de courant n'est pas alimentée.	Branchez un autre appareil électrique à la prise de courant. Contactez un électricien qualifié.
L'appareil est bruyant.	L'appareil n'est pas stable.	Assurez-vous de la stabilité de l'appareil.
L'éclairage ne fonctionne pas.	L'éclairage est en mode veille.	Fermez puis ouvrez la porte.
	L'éclairage est défectueux.	Reportez-vous au chapitre « Remplacement de l'ampoule ».
Le compresseur fonctionne en permanence.	Il y a une erreur dans le réglage de la température.	Reportez-vous au chapitre « Fonctionnement ».
	Trop de produits à congeler ont été introduits en même temps dans l'appareil.	Attendez quelques heures et vérifiez de nouveau la température.
	La température ambiante est trop élevée.	Reportez-vous au tableau des classes climatiques de la plaque signalétique.
	Les aliments introduits dans l'appareil étaient trop chauds.	Laissez refroidir les aliments à température ambiante avant de les mettre dans l'appareil.
	La porte n'est pas fermée correctement.	Reportez-vous au chapitre « Fermeture de la porte ».
De l'eau s'écoule sur la plaque arrière du réfrigérateur.	Pendant le dégivrage automatique, le givre fond sur la plaque arrière.	Ce phénomène est normal.
De l'eau s'écoule dans le réfrigérateur.	L'orifice d'écoulement de l'eau de dégivrage est obstrué.	Nettoyez l'orifice d'écoulement de l'eau de dégivrage.
	Des aliments empêchent l'eau de s'écouler dans le réservoir d'eau.	Assurez-vous que les produits ne touchent pas la plaque arrière.

Problème	Cause probable	Solution
De l'eau coule sur le sol.	Le tuyau d'évacuation de l'eau de dégivrage n'est pas raccordé au bac d'évaporation situé au-dessus du compresseur.	Fixez le tuyau d'évacuation de l'eau au bac d'évaporation de l'eau de dégivrage.
La température à l'intérieur de l'appareil est trop basse/ élevée.	Le thermostat n'est pas réglé correctement.	Augmentez/réduisez la température.
	La porte n'est pas fermée correctement.	Reportez-vous au chapitre « Fermeture de la porte ».
	La température des produits est trop élevée.	Laissez les aliments refroidir à température ambiante avant de les placer dans l'appareil.
	Trop de produits ont été introduits simultanément.	Introduisez moins de produits en même temps.
	La porte a été ouverte trop souvent.	N'ouvrez la porte qu'en cas de nécessité.
	L'air froid ne circule pas dans l'appareil.	Assurez-vous que de l'air froid circule dans l'appareil.
Trop d'eau s'est condensée sur la paroi arrière du réfrigérateur.	La porte a été ouverte trop fréquemment.	N'ouvrez la porte qu'en cas de nécessité.
	La porte n'est pas entièrement fermée.	Assurez-vous que la porte est entièrement fermée.
	Les aliments conservés ne sont pas emballés.	Enveloppez les aliments dans un emballage adapté avant de les ranger dans l'appareil.
La porte est difficile à ouvrir.	Vous avez essayé de rouvrir la porte immédiatement après l'avoir fermée.	Attendez quelques secondes après avoir fermé la porte pour la rouvrir.



Si ces conseils n'apportent pas de solution à votre problème, veuillez consulter le service après-vente agréé le plus proche.

7.2 Remplacement de l'éclairage



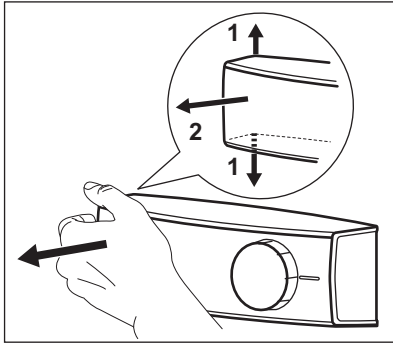
L'appareil est équipé d'un éclairage à DEL longue durée.



ATTENTION!

Débranchez la fiche de l'appareil de la prise secteur.

1. Dans le même temps, placez vos doigts en haut et en bas du diffuseur transparent et glissez-le dans le sens indiqué par les flèches pour le détacher.



2. Remplacez l'ampoule par une ampoule de puissance et de forme

identiques, spécifiquement conçue pour les appareils électroménagers. La puissance maximale est indiquée sur le diffuseur.

3. Remontez le diffuseur de l'ampoule.
4. Branchez la fiche de l'appareil à la prise secteur.
5. Ouvrez la porte. Vérifiez que l'ampoule s'allume.

7.3 Fermeture de la porte

1. Nettoyez les joints de la porte.
2. Si nécessaire, ajustez la porte. Reportez-vous aux instructions de montage.
3. Si nécessaire, remplacez les joints de porte défectueux. Contactez le service après-vente agréé.

8. INSTALLATION



AVERTISSEMENT!

Reportez-vous aux chapitres concernant la sécurité.

8.1 Emplacement



Consultez la notice de montage lors de l'installation.

Pour assurer des performances optimales, l'appareil ne doit pas être installé près d'une source de chaleur telle qu'un radiateur, une chaudière, la lumière directe du soleil, etc. Assurez-vous que l'air circule librement à l'arrière de l'appareil.

8.2 Positionnement

Installez cet appareil dans une pièce intérieure sèche et bien ventilée où la température ambiante correspond à la classe climatique indiquée sur la plaque signalétique de l'appareil.

Classe climatique	Température ambiante
N	+16 °C à + 32 °C
ST	+16 °C à + 38 °C
T	+16 °C à + 43 °C

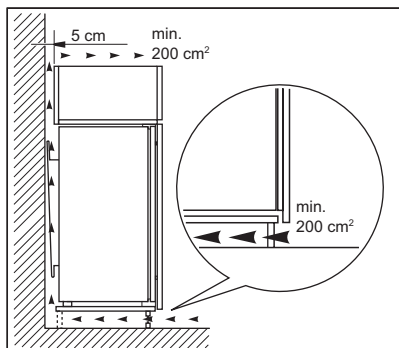


Des problèmes fonctionnels peuvent survenir sur certains types de modèles fonctionnant hors de cette plage de températures. Seul le respect de la plage de températures spécifiée peut garantir un bon fonctionnement de l'appareil. En cas de doute concernant l'emplacement d'installation de l'appareil, veuillez contacter le vendeur, notre service après-vente ou le centre de réparation agréé le plus proche.

Classe climatique	Température ambiante
SN	+10 °C à +32 °C

8.3 Exigences en matière de ventilation

Veillez à garantir une circulation d'air suffisante à l'arrière de l'appareil.



8.4 Branchement électrique

- Avant de brancher l'appareil, assurez-vous que la tension et la fréquence indiquées sur la plaque signalétique correspondent à celles de votre réseau électrique domestique.
- L'appareil doit être relié à la terre. La fiche du cordon d'alimentation est fournie avec un contact à cette fin. Si la prise de courant n'est pas mise à la terre, branchez l'appareil à une mise à la terre séparée conformément aux réglementations en vigueur, en consultant un électricien spécialisé.
- Le fabricant décline toute responsabilité en cas de non-respect de ces consignes de sécurité.
- Cet appareil est conforme aux directives CEE.

9. CARACTÉRISTIQUES TECHNIQUES


9.1 Caractéristiques techniques


Hauteur	mm	815
Largeur	mm	596
Profondeur	mm	550
Tension	Volts	230 - 240
Fréquence	Hz	50

Les caractéristiques techniques figurent sur la plaque signalétique située sur le

côté intérieur ou extérieur de l'appareil et sur l'étiquette énergétique.

10. EN MATIÈRE DE PROTECTION DE L'ENVIRONNEMENT

Recyclez les matériaux portant le symbole . Déposez les emballages dans les conteneurs prévus à cet effet. Contribuez à la protection de l'environnement et à votre sécurité, recyclez vos produits électriques et

électroniques. Ne jetez pas les appareils portant le symbole  avec les ordures ménagères. Emmenez un tel produit dans votre centre local de recyclage ou contactez vos services municipaux.

CONTENIDO

1. INFORMACIÓN SOBRE SEGURIDAD.....	26
2. INSTRUCCIONES DE SEGURIDAD.....	27
3. FUNCIONAMIENTO.....	28
4. USO DIARIO.....	29
5. CONSEJOS.....	30
6. MANTENIMIENTO Y LIMPIEZA.....	31
7. SOLUCIÓN DE PROBLEMAS.....	32
8. INSTALACIÓN.....	34
9. DATOS TÉCNICOS.....	36

PARA OBTENER RESULTADOS PERFECTOS

Gracias por escoger este producto AEG. Este artículo ha sido creado para ofrecer un rendimiento impecable durante muchos años, con innovadoras tecnologías que facilitarán su vida y prestaciones que probablemente no encuentre en electrodomésticos corrientes. Por favor, dedique algunos minutos a la lectura para disfrutar de todas sus ventajas.

Consulte en nuestro sitio web:



Obtener consejos, folletos, soluciones a problemas e información de servicio:
www.aeg.com/webselfservice



Registrar su producto para recibir un mejor servicio:
www.registreaeg.com



Adquirir accesorios, artículos de consumo y recambios originales para su aparato:
www.aeg.com/shop

ATENCIÓN Y SERVICIO AL CLIENTE

Le recomendamos que utilice recambios originales.

Al contactar con nuestro centro autorizado de servicio técnico, cerciőrese de tener la siguiente información a mano: Modelo, PNC, Número de serie.

La información se puede encontrar en la placa de características.

 Advertencia / Precaución- Información sobre seguridad

 Información general y consejos

 Información sobre el medio ambiente

Salvo modificaciones.

1. ⚠ INFORMACIÓN SOBRE SEGURIDAD

Antes de instalar y utilizar el aparato, lea atentamente las instrucciones facilitadas. El fabricante no se hace responsable de lesiones o daños producidos como resultado de una instalación o un uso incorrectos: Conserve siempre estas instrucciones en lugar seguro y accesible para futuras consultas.

1.1 Seguridad de niños y personas vulnerables

- Este electrodoméstico puede ser utilizado por niños de 8 años en adelante y personas cuyas capacidades físicas, sensoriales o mentales estén disminuidas o que carezcan de la experiencia y conocimientos suficientes para manejarlo, siempre que cuenten con las instrucciones o la supervisión sobre el uso del electrodoméstico de forma segura y comprendan los riesgos.
- No deje que los niños jueguen con el aparato.
- La limpieza y mantenimiento de usuario del aparato no podrán ser realizados por niños sin supervisión.
- Mantenga todo el material de embalaje fuera del alcance de los niños y deséchelo de forma adecuada.

1.2 Instrucciones generales de seguridad

- Este aparato está concebido para utilizarse en aplicaciones domésticas y similares, tales como:
 - Granjas; áreas de cocina para el personal en tiendas, oficinas y otros entornos de trabajo
 - Por clientes en hoteles, moteles, pensiones y otros entornos de tipo residencial
- Mantenga libres de obstrucciones las aberturas de ventilación del alojamiento del aparato o de la estructura empotrada.
- No utilice dispositivos mecánicos ni medios artificiales para acelerar el proceso de descongelación, excepto los recomendados por el fabricante.
- No dañe el circuito del refrigerante.

- No utilice dispositivos eléctricos dentro de los compartimientos para alimentos del aparato, salvo si son del tipo recomendado por el fabricante.
- No utilice pulverizadores ni vapor de agua para limpiar el aparato.
- Limpie el aparato con un paño suave humedecido. Utilice solo detergentes neutros. No utilice productos abrasivos, estropajos duros, disolventes ni objetos metálicos.
- No almacene sustancias explosivas tales como latas de aerosol con un propulsor inflamable en este aparato.
- Si el cable eléctrico sufre algún daño, el fabricante, su servicio técnico autorizado o un profesional cualificado tendrán que cambiarlo para evitar riesgos.

2. INSTRUCCIONES DE SEGURIDAD

2.1 Instalación



ADVERTENCIA!

Solo un electricista cualificado puede instalar este aparato.

- Retire todo el embalaje y los pasadores de transporte.
- No instale ni utilice un aparato dañado.
- Siga las instrucciones de instalación suministradas con el aparato.
- Tenga cuidado al mover el aparato, porque es pesado. Utilice siempre guantes de protección y calzado cerrado.
- Asegúrese de que el aire pueda circular alrededor del aparato.
- Espere al menos 4 horas antes de conectar el aparato a la alimentación eléctrica. Esto es para permitir que el aceite regrese al compresor.
- No instale el aparato cerca de radiadores, cocinas, hornos o placas de cocción.
- La parte posterior del aparato se debe colocar contra la pared.
- No instale el aparato donde reciba luz solar directa.

- No coloque este aparato en lugares demasiado húmedos o fríos, como anexos a una construcción, garajes o bodegas.
- Al mover el aparato, levántelo por el borde frontal para no arañar el suelo.

2.2 Conexión eléctrica



ADVERTENCIA!

Riesgo de incendios y descargas eléctricas.

- El aparato debe conectarse a tierra.
- Asegúrese de que las especificaciones eléctricas de la placa coincidan con las del suministro eléctrico de su hogar. En caso contrario, póngase en contacto con un electricista.
- Utilice siempre una toma con aislamiento de conexión a tierra correctamente instalada.
- No utilice adaptadores de enchufes múltiples ni cables prolongadores.
- Asegúrese de no provocar daños en los componentes eléctricos (como enchufe, cable de alimentación, compresor). Póngase en contacto con un electricista o con el servicio

técnico autorizado para cambiar los componentes eléctricos.

- El cable de alimentación debe estar por debajo del nivel del enchufe de alimentación.
- Conecte el enchufe a la toma de corriente únicamente cuando haya terminado la instalación. Asegúrese de tener acceso al enchufe del suministro de red una vez finalizada la instalación.
- No desconecte el aparato tirando del cable de conexión a la red. Tire siempre del enchufe.

2.3 Uso



ADVERTENCIA!

Existe riesgo de lesiones, quemaduras, descargas eléctricas o incendios.

- No cambie las especificaciones de este aparato.
- El utilice otros aparatos eléctricos (como máquinas de hacer helados) dentro de aparatos de refrigeración, a menos que el fabricante haya autorizado su utilización
- Tenga cuidado para no dañar el circuito de refrigerante. Contiene isobutano (R600a), un gas natural con alto grado de compatibilidad medioambiental. Este gas es inflamable.
- Si se daña el circuito del refrigerante, evite las llamas y fuentes de ignición en la habitación. Ventile la habitación.
- No toque con elementos calientes las piezas de plástico del aparato.
- No almacene gas ni líquido inflamable en el aparato.
- No coloque productos inflamables ni objetos mojados con productos inflamables dentro, cerca o encima del aparato.
- No toque el compresor ni el condensador. Están calientes.

3. FUNCIONAMIENTO

3.1 Encendido

1. Introduzca el enchufe en la toma de pared.

2.4 Luz interna

- El tipo de bombilla de este aparato no es apto para iluminar la casa.

2.5 Mantenimiento y limpieza



ADVERTENCIA!

Podría sufrir lesiones o dañar el aparato.

- Antes de proceder con el mantenimiento, apague el aparato y desconecte el enchufe de la red.
- Este equipo contiene hidrocarburos en la unidad de refrigeración. Solo una persona cualificada debe realizar el mantenimiento y la recarga de la unidad.
- Examine periódicamente el desagüe del aparato y límpielo si fuera necesario. Si el desagüe se bloquea, el agua descongelada se acumulará en la base del aparato.

2.6 Desecho



ADVERTENCIA!

Existe riesgo de lesiones o asfixia.

- Desconecte el aparato de la red.
- Corte de conexión a la red y deséchelo.
- Retire la puerta para evitar que los niños y las mascotas queden encerrados en el aparato.
- El circuito del refrigerante y los materiales aislantes de este aparato no dañan la capa de ozono.
- La espuma aislante contiene gas inflamable. Póngase en contacto con las autoridades locales para saber cómo desechar correctamente el aparato.
- No dañe la parte de la unidad de refrigeración que está cerca del intercambiador de calor.

2. Gire el regulador de temperatura hacia la derecha, a un ajuste intermedio.

3.2 Apagado

Para apagar el aparato, gire el regulador de temperatura hasta la posición "O".

3.3 Regulación de la temperatura

La temperatura se regula automáticamente.

- i** Lo más idóneo es ajustar la temperatura en una posición intermedia. Sin embargo, el ajuste exacto debe elegirse teniendo en cuenta que la temperatura interior del aparato depende de:
- temperatura ambiente,
 - la frecuencia con que se abre la puerta,
 - la cantidad de alimentos guardados,
 - ubicación del aparato.

1. Gire el regulador de temperatura hacia ajustes más bajos para obtener el frío mínimo.
2. Gire el regulador de temperatura hacia ajustes más altos para obtener el frío máximo.



PRECAUCIÓN!

Si la temperatura ambiente es elevada o el aparato está totalmente lleno y se ha ajustado a las temperaturas más bajas, puede mantenerse en marcha de manera continua provocando la formación de escarcha en la pared posterior. En tal caso, el mando debe colocarse a temperatura más elevada para permitir la descongelación automática y reducir así el consumo energético.

4. USO DIARIO



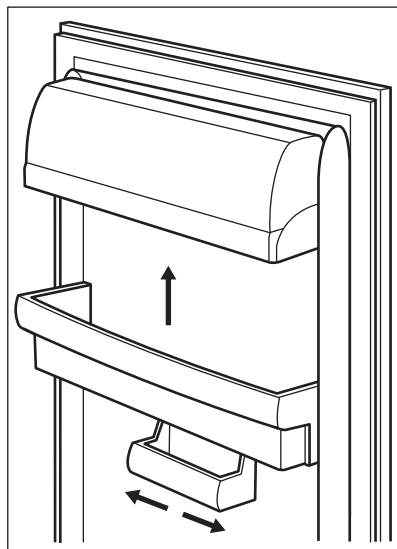
ADVERTENCIA!

Consulte los capítulos sobre seguridad.

4.1 Colocación de los estantes de la puerta

Para poder guardar alimentos de distintos tamaños, los estantes de la puerta se pueden colocar a diferentes alturas.

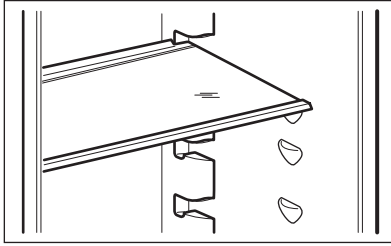
1. Tire gradualmente del estante en la dirección de las flechas hasta que se desenganche.
2. Vuelva a colocarlo según sea necesario.



Este modelo cuenta con una caja de almacenamiento variable que se puede deslizar lateralmente.

4.2 Estantes móviles

Las paredes del frigorífico cuentan con una serie de guías para colocar los estantes del modo que se prefiera.



No coloque el estante de vidrio por encima del cajón de verduras para no impedir la correcta circulación del aire.

5. CONSEJOS

5.1 Sonidos de funcionamiento normal

Los ruidos siguientes son normales durante el funcionamiento:

- Un gorgoteo y burbujeo débil desde el serpentín cuando se bombea el refrigerante.
- Un zumbido o sonido intermitente desde el compresor cuando se bombea el refrigerante.
- Un chasquido repentino desde el interior del aparato debido a la dilatación térmica (un fenómeno físico natural no peligroso).
- Un chasquido débil desde el regulador de temperatura cuando se activa o desactiva el compresor.

5.2 Consejos para ahorrar energía

- No abra la puerta con frecuencia ni la deje abierta más tiempo del estrictamente necesario.
- Si la temperatura ambiente es alta, se ha ajustado un valor de temperatura alto y el aparato está totalmente lleno, el compresor podría funcionar sin detenerse y generar escarcha o hielo en el evaporador. En tal caso, gire el regulador de temperatura hasta valores más bajos para facilitar la descongelación automática y ahorrar en el consumo eléctrico.

5.3 Consejos para la refrigeración de alimentos frescos

Para obtener los mejores resultados:

- no guarde en el frigorífico alimentos calientes ni líquidos en evaporación
- cubra o envuelva los alimentos, en especial si tienen sabores fuertes
- coloque los alimentos de modo que el aire pueda circular libremente entre ellos

5.4 Consejos para la refrigeración

Consejos útiles:

- Carne (de todo tipo): guárdela en un envoltorio adecuado y colóquela en el estante de vidrio, sobre el cajón de las verduras. Almacene la carne durante un máximo de 1-2 días.
- Alimentos cocinados, platos fríos: cubra y coloque en cualquier instante.
- Frutas y verduras: limpie a fondo y coloque en un cajón especial. No guarde en el frigorífico productos como plátanos, patatas, cebollas y ajos, a menos que estén empaquetados.
- Mantequilla y queso: coloque en un recipiente hermético especial o envuelva o bolsas de polietileno para eliminar todo el aire posible.
- Botellas: cierre con un tapón y colóquelas en el estante para botellas

de la puerta de la puerta o en el botellero (si dispone de él).

6. MANTENIMIENTO Y LIMPIEZA



ADVERTENCIA!

Consulte los capítulos sobre seguridad.



PRECAUCIÓN!

Tenga cuidado para no dañar el sistema de refrigeración.

6.1 Advertencias generales



PRECAUCIÓN!

Antes de realizar tareas de mantenimiento, desenchufe el aparato



PRECAUCIÓN!

Al mover el frigorífico, levántelo por el borde frontal para no arañar el suelo.



Este aparato contiene hidrocarburos en la unidad de refrigeración por lo que cualquier tarea de mantenimiento o recarga debe ser realizada por personal técnico homologado.

El equipo debe limpiarse de forma regular:



Los accesorios y las piezas del aparato no deben lavarse en el lavavajillas.

1. Limpie el interior y los accesorios con agua templada y un jabón neutro.
2. Revise y limpie periódicamente las juntas de la puerta para mantenerlas limpias y sin restos;
3. Aclare y seque a fondo.
4. Si se puede acceder, limpie el condensador y el compresor de la parte posterior del aparato con un cepillo.
Esa operación mejorará el rendimiento del aparato y reducirá el consumo eléctrico.

6.2 Limpieza del interior

Antes de utilizar el aparato por primera vez, lave su interior y todos los accesorios internos con agua templada y jabón neutro para eliminar el típico olor de los productos nuevos. A continuación, seque todo bien.

6.4 Descongelación del frigorífico



PRECAUCIÓN!

No utilice detergentes, polvos abrasivos ni limpiadores a base de cloro o aceite, ya que podrían dañar el acabado.

La escarcha se elimina automáticamente del evaporador del frigorífico cada vez que se detiene el compresor, durante el funcionamiento normal. El agua de la descongelación se descarga por un canal hacia un recipiente especial situado en la parte posterior del aparato, sobre el motor compresor, desde donde se evapora.

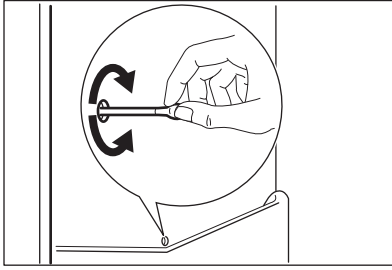
6.3 Limpieza periódica



PRECAUCIÓN!

No mueva, dañe ni tire de los conductos o cables del interior del armario.

Es importante limpiar periódicamente el orificio de salida del agua de descongelación situado en la mitad del canal del compartimento frigorífico para evitar que el agua se desborde y caiga sobre los alimentos del interior.



6.5 Periodos de inactividad

Si el aparato no se utiliza durante un tiempo prolongado, tome las siguientes precauciones:

1. Desconecte el aparato de la red eléctrica.
2. Extraiga todos los alimentos.
3. Limpie el aparato y todos los accesorios.
4. Deje la puerta o puertas abiertas para que no se produzcan olores desagradables.



ADVERTENCIA!

Si desea mantener el aparato encendido, procure que alguien lo vigile de vez en cuando para que los alimentos de su interior no se estropeen si se interrumpe el suministro eléctrico.

7. SOLUCIÓN DE PROBLEMAS



ADVERTENCIA!

Consulte los capítulos sobre seguridad.

7.1 Qué hacer si...

Problema	Posible causa	Solución
El aparato no funciona.	El aparato se apaga.	Encienda el aparato.
	El aparato no está correctamente enchufado a la toma de corriente.	Enchufe el aparato correctamente a la toma de corriente.
	No hay tensión en la toma de corriente.	Enchufe un aparato eléctrico diferente a la toma de corriente. Llame a un electricista cualificado.
El aparato hace ruido.	El aparato no está bien apoyado en el suelo.	Compruebe que los soportes del aparato descansan sobre una superficie estable.
La bombilla no funciona.	La bombilla está en espera.	Cierre y abra la puerta.
	La bombilla es defectuosa.	Consulte la sección "Cambio de la bombilla".
El compresor funciona continuamente.	La temperatura está ajustada incorrectamente.	Consulte el capítulo de funcionamiento.
	Se han introducido numerosos alimentos para congelar al mismo tiempo.	Espere unas horas y vuelva a comprobar la temperatura.

Problema	Posible causa	Solución
	La temperatura ambiente es demasiado alta.	Consulte la tabla de clase climática en la placa de características.
	Los alimentos introducidos en el aparato estaban demasiado calientes.	Deje que los alimentos se enfríen a temperatura ambiente antes de almacenarlos.
	La puerta no está bien cerrada.	Consulte la sección "Cierre de la puerta".
El agua fluye por la placa posterior del frigorífico.	Durante el proceso de descongelación automática, la escarcha se derrite en la placa posterior.	Es correcto.
El agua fluye al interior del frigorífico.	La salida de agua está obstruida.	Limpie la salida de agua.
	Los productos impiden que el agua fluya al colector de agua.	Asegúrese de que los alimentos no entran en contacto con la placa posterior.
Hay agua en el suelo.	El agua de la descongelación no fluye hacia la bandeja de evaporación situada sobre el compresor.	Fije la salida de agua de descongelación a la bandeja de evaporación.
La temperatura del aparato es demasiado baja/alta.	El regulador de temperatura no se ha ajustado correctamente.	Seleccione una temperatura más alta o baja.
	La puerta no está bien cerrada.	Consulte la sección "Cierre de la puerta".
	La temperatura de los productos es demasiado alta.	Deje que la temperatura de los productos descienda a la temperatura ambiente antes de guardarlo.
	Se han guardado muchos alimentos al mismo tiempo.	Guarde menos productos al mismo tiempo.
	La puerta se ha abierto con frecuencia.	Si es necesario, cierre la puerta.
	No hay circulación de aire frío en el aparato.	Compruebe que el aire frío circula libremente en el aparato.
Hay demasiada agua de condensación en la pared posterior del frigorífico.	La puerta se abre con demasiada frecuencia.	Abra la puerta solo cuando sea necesario.

Problema	Posible causa	Solución
	La puerta no se cierra completamente.	Asegúrese de que la puerta está cerrada completamente.
	Los alimentos guardados no están envueltos correctamente.	Envuelva los alimentos correctamente antes de guardarlos en el aparato.
La puerta no se abre fácilmente.	Ha intentado volver a abrir la puerta inmediatamente después de cerrarla.	Espera unos segundos entre el cierre y la reapertura de la puerta.



Si el consejo anterior no ofrece resultados, llame al servicio técnico autorizado más cercano.

7.2 Cambio de la bombilla



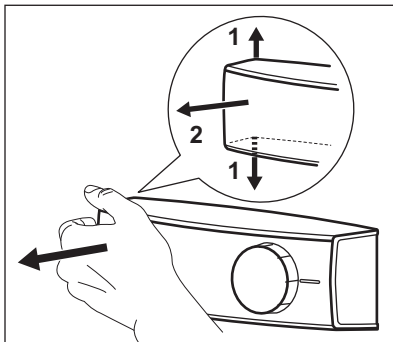
El aparato está equipado con una luz LED interior de larga duración.



PRECAUCIÓN!

Desenchufe el aparato de la toma de corriente.

1. Al mismo tiempo, expanda con los dedos arriba y abajo la tapa transparente y desengánchela en la dirección de las flechas.



2. Cambie la bombilla por otra de la misma potencia y forma, diseñada específicamente para electrodomésticos. La potencia máxima se indica en la tapa de la bombilla.
3. Vuelva a colocar la tapa de la bombilla.
4. Enchufe el aparato a la toma de corriente.
5. Abra la puerta. Compruebe que la bombilla se enciende.

7.3 Cierre de la puerta

1. Limpie las juntas de la puerta.
2. Si es necesario, ajuste la puerta. Consulte las instrucciones de montaje.
3. Si es necesario, cambie las juntas defectuosas. Póngase en contacto con el servicio técnico autorizado.

8. INSTALACIÓN



ADVERTENCIA!

Consulte los capítulos sobre seguridad.

8.1 Ubicación

i Consulte las instrucciones de montaje para la instalación.

Para garantizar el mejor rendimiento, instale el aparato alejado de fuentes de calor, como radiadores, calderas, luz solar directa, etc. Asegúrese también de que el aire puede circular sin obstáculos por la parte trasera del aparato.

8.2 Colocación

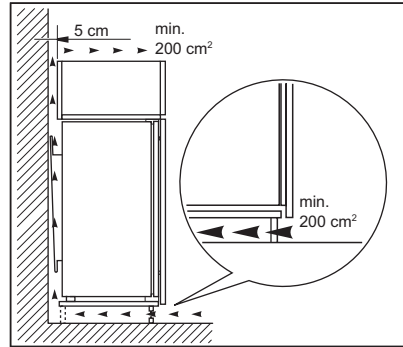
Instale el aparato en un lugar interior seco y bien ventilado en el que la temperatura ambiente se corresponda con la clase climática indicada en la placa de características del aparato.

Clase climática	Temperatura ambiente
SN	+10°C a + 32°C
N	+16°C a + 32°C
ST	+16°C a + 38°C
T	+16°C a + 43°C

i Se puede producir algún problema de funcionamiento en algunos modelos cuando se usan fuera de ese rango. Solo se puede garantizar el correcto funcionamiento dentro del rango de temperatura especificado. Si tiene cualquier duda respecto al lugar de instalación del aparato, consulte al vendedor, a nuestro servicio de atención al cliente o al servicio técnico autorizado más cercano.

8.3 Requisitos de ventilación

El aire debe poder circular libremente por la parte posterior del aparato.



8.4 Conexión eléctrica

- Antes de conectar el aparato, compruebe que el voltaje y la frecuencia indicados en la placa de datos técnicos se corresponden con el suministro de la vivienda.
- El aparato debe conectarse a tierra. El enchufe del cable de alimentación se suministra con un contacto para tal fin. Si la toma de red de la vivienda carece de conexión a tierra, conecte el aparato a una toma de tierra conforme con la normativa, después de consultar a un electricista profesional
- El fabricante declina toda responsabilidad si no se toman las precauciones antes indicadas.
- Este aparato cumple las directivas CEE.

9. DATOS TÉCNICOS


9.1 Datos técnicos


Alto	mm	815
Ancho	mm	596
Fondo	mm	550
Voltaje	Voltios	230 - 240
Frecuencia	Hz	50

La información técnica se encuentra en la placa de datos técnicos situada en el

lado exterior o interior del aparato, y en la etiqueta de consumo energético.

10. ASPECTOS MEDIOAMBIENTALES

Recicle los materiales con el símbolo . Coloque el material de embalaje en los contenedores adecuados para su reciclaje. Ayude a proteger el medio ambiente y la salud pública, así como a reciclar residuos de aparatos eléctricos y

electrónicos. No deseche los aparatos marcados con el símbolo  junto con los residuos domésticos. Lleve el producto a su centro de reciclaje local o póngase en contacto con su oficina municipal.

www.aeg.com/shop



211623820-A-082017



AEG