



**Energy-efficient appliance. Benefits you and the environment**  
This energy-efficient appliance is optimised to consume less energy. Helping you to reduce your carbon footprint and be kind to the environment.

## Product Benefits & Features



### Safe storage for heavy items at every level of your fridge

This refrigerator has shelves of robust safety glass, which can safely support even the heaviest items.

- 880 mm built-in height
- Moveable feature door
- Mechanical temperature control
- Automatic defrosting of the cooling compartment
- Refrigerator shelves: 3 Full Width, Glass with Trim
- Refrigerator drawer(s): 1 Full Width
- Egg tray: 2 for 6 eggs
- Door hinges placement: Right & Reversible



### Intelligent design for simple, effective cleaning

The interior of this refrigerator has specially rounded corners to make cleaning it fast, simple and effective.



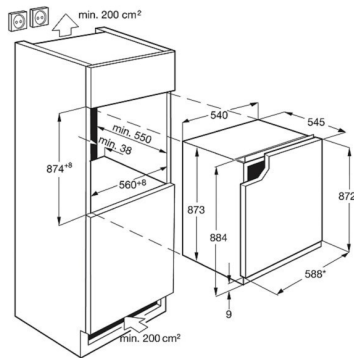
### An ideal place for fresher, more flavoursome dairy products

Storing your dairy products in this refrigerator's specially designed closed container will help you keep them fresh and preserve their delicate flavours.

## Product Specification

Product Number Code	933 017 058	Weight net cleaner and accessories	29
Bar code	7332543505067	no packaging	
ELNE20	D	Package heigth	935
YearEConsE20	75	Package width	625
TotVolE20	142	Package depth	630
TotVolUnFrE20	142		
NoiseCE20	C		
NoiseIECE20	38		
ClimE20	SN-N-ST-T		
Number and type of egg trays	2 for 6 eggs		
Height total	873		
Width mm	540		
Depth mm	549		
Built in height mm	880		
Built in width mm	560		
Built in depth mm	550		
Main colour	White		
Connected load (W)	80		
Voltage	230		
Required fuse (A)	10		
Frequency	50		
Cord length external	2.4		
Weight gross cleaner and accessories with packaging	30.5		

PSAARE070D000003



\* Türabmessungen (ohne Griff)